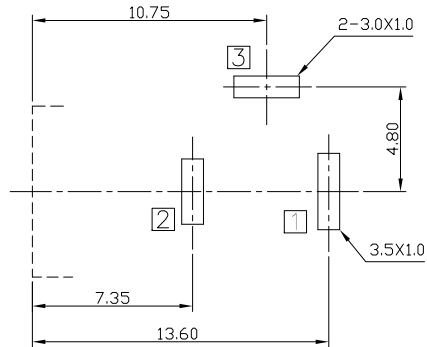
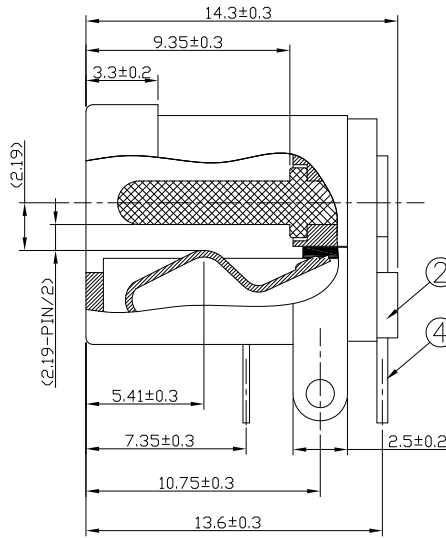
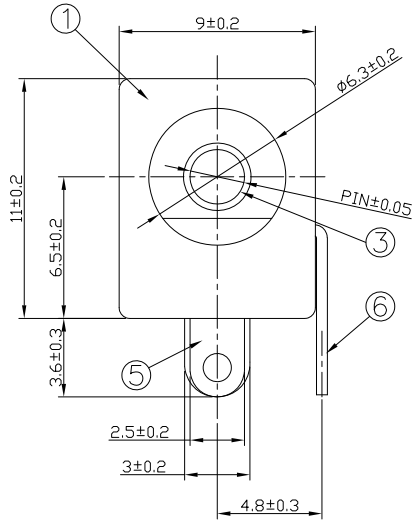




RoHS
Compliant
2002/95/EC

REV.	ECN. NO.	APPD.

DIMENSIONS



RECOMMENDED PCB LAYOUT
TOLERANCE:±0.05mm
(BOTTOM VIEW)

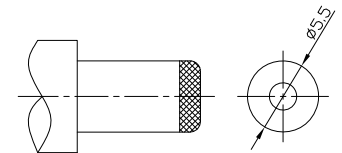
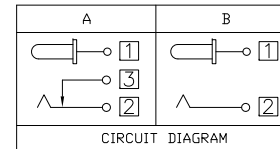
MODEL CODE:

DCB0-0005E- A □ PB BK I Q 4

- (1):Series type:DIP DC POWER JACK.
- (2):Series No.
- (3):Schematic option: A , B
- (4):Center pin diameter:
G=∅1.65 ,H=∅2.0 ,I=∅2.35 ,J=∅2.5
- (5):Material of housing:
PB=PBT (Standard)
- (6):Housing color:
BK=Black
- (7):Terminal plating
T=Tin(Sn)
- (8):Special option:
0=No special option
- (9):Packing mode:
4=Bag packing

Specification:

- 1.Rating : DC 48V/1.5A.
- 2.Contact resistance: ≤30mΩ
After test:≤50mΩ
- 3.Insulation resistance: ≥100MΩ (500VDC).
After test:≥50MΩ
- 4.Withstanding voltage: 500VAC.
- 5.Insertion and extraction force: 3N~30N.
- 6.Life test: 5000 cycles min.
- 7.Operation temperature range:-20℃~70℃.
- 8.Preservative temperature range:-40℃~85℃.



DC MATE PLUG

Model No.	G	H	I	J
CENTER PIN	∅1.65	∅2.0	∅2.35	∅2.5

○: ITEM NO. □: TERMINAL NO.

NO.	PARTS	MATERIAL	Q'TY	FINISHING	TOLERANCE	ANGLES	UNITS
⑥	Shunt terminal ③	Brass t=0.5mm	1	Tin plating	±0.3	±2'	mm
⑤	Tip spring ②	Phosphor bronze t=0.3mm	1	Tin plating			MAT'L
④	Center pin terminal ①	Brass t=0.5mm	1	Tin plating			SEE NOTE
③	Center pin	Brass	1	Cusn Plating			FINISH
②	Cover	PBT UL94V-0	1	Black			SEE NOTE
①	Housing	PBT UL94V-0	1	Black			Q'TY

THESE DRAWINGS AND SPECIFICATIONS ARE THE PROPERTY OF ACCURATE INNOTECH INC AND SHALL NOT BE REPRODUCED, COPIED OR USED IN ANY MANNER WITHOUT THE PRIOR WRITTEN CONSENT OF ACCURATE INNOTECH INC.

雅安科技有限公司 ACCURATE INNOTECH INC.			
TITLE: DIP DC POWER JACK		PART NO.: DCB0-0005E	
DR: <i>Ricky</i> 2019/03/06		DWG NO.: AB0-0005E	
CHKD: <i>Ricky</i> 2019/03/06		SCALE	SHEET
APPD:		1:1	1/1
		REV.	CUSTOMER DRAWING
		A	