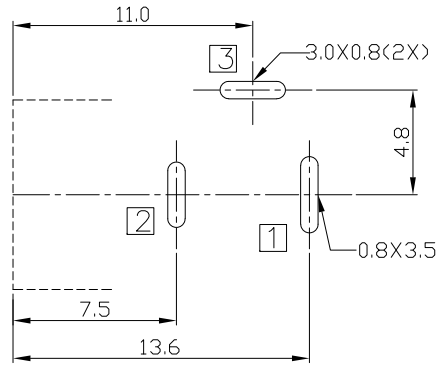
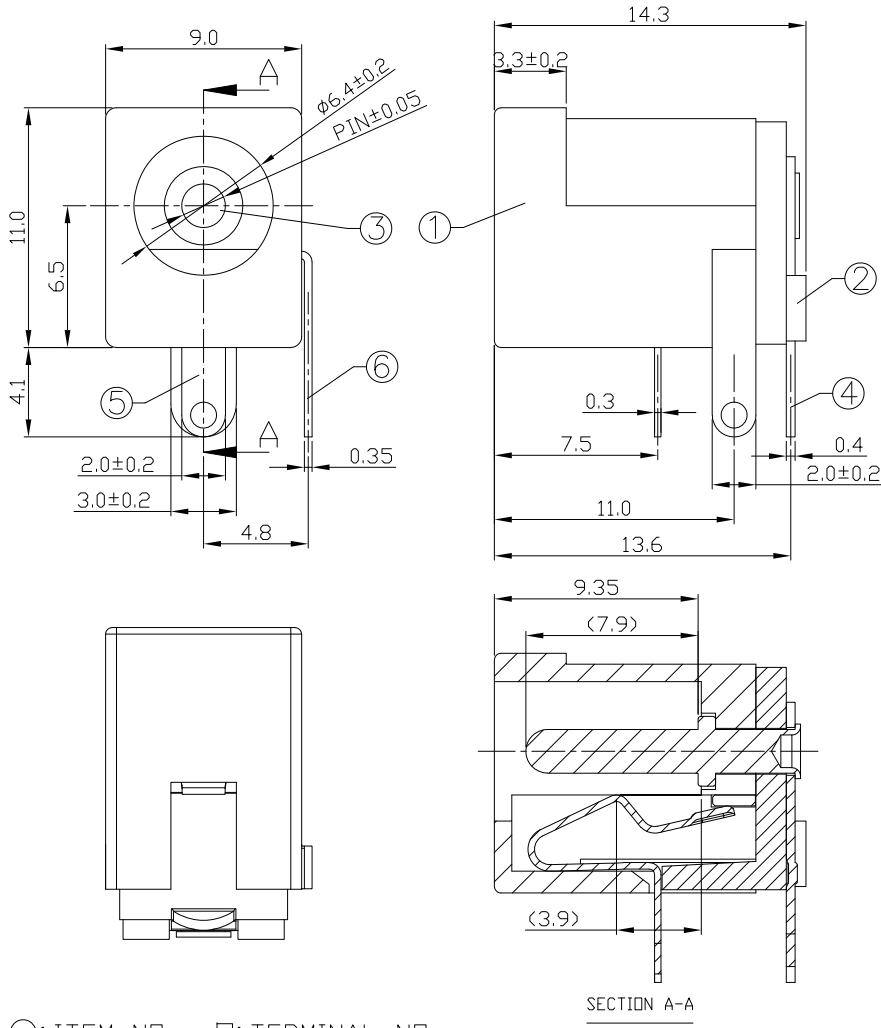


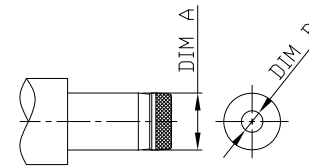


RoHS
Compliant
2002/95/EC

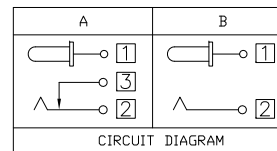
DIMENSIONS



RECOMMENDED P.C.B. LAYOUT
UNSPECIFIED TOLERANCE:±0.05
(BOTTOM VIEW)



DC MATE PLUG



Model No.	H	I	J
CENTER PIN	∅2.0	∅2.35	∅2.5
DIM A	∅5.5±0.05	∅5.5±0.05	∅5.5±0.05
DIM B	∅2.05 ^{+0.10} _{-0.00}	∅2.40 ^{+0.10} _{-0.00}	∅2.55 ^{+0.10} _{-0.00}

- MODEL CODE:
DCB0-0005Y- A □ PB BK T 0 4
(1) (2) (3)(4) (5) (6) (7)(8) (9)
(1):Series type:DIP DC POWER JACK.
(2):Series No.
(3):Schematic option: A , B
(4):Center pin diameter:
H=∅2.0 , I=∅2.35 , J=∅2.5
(5):Material of housing:
PB=PBT , 9T=PA9T
(6):Housing color:
BK=Black
4A=Yellow(XH-1163)=PBT4815
4H=Yellow(0039=XH1029)=PBT4815
5I=Green(0274)=PBT4815
5P=Green(0116)=PBT4815
5Z=Green(XH-1200)=PBT4815
6B=Blue(XH-1161)=PBT4815
6C=Blue(XH-1164)=PBT4815
8A=Gray(0292)=PBT4815
8G=Gray(0228)=PBT4815
9A=White(0100=XH1013)=PBT4815
(7):Terminal plating
T=Tin(Sn)
(8):Special option:
0=Black cover
1=Cover and the housing have the same color.
but cover and housing are black use code "0".
H=Cover and housing are black Halogen Free
(9):Packing mode:
3:Plastic box packing
4=Bag packing

- Specification:
1.Rating :DC 20V 4A.
2.Contact resistance :≤30mΩ
After test:≤50mΩ
3.Insulation resistance : ≥100MΩ (500VDC).
After test:≥50MΩ
4.Withstanding voltage: 500VAC .
5.Insertion and extraction force: 3N~30N.
6.life test: 5000cycles min.
7.Operation temperature range:-20℃~70℃.
8.Preservative temperature range:-40℃~85℃.

○: ITEM NO. □: TERMINAL NO.

NO.	PARTS	MATERIAL	Q'TY	FINISHING	TOLERANCE	ANGLES	UNITS
⑥	Shunt terminal ③	Brass t=0.35	1	Tin plating			mm
⑤	Tip spring ②	Phosphor bronze t=0.30	1	Tin plating	±0.3	±2'	MAT'L
④	Center pin terminal ①	Brass t=0.4	1	Tin plating			SEE NOTE
③	Center pin	Brass	1	Ni plating			FINISH
②	Cover	Thermoplastic	1	See P/N ordering info			SEE NOTE
①	Housing	Thermoplastic	1	See P/N ordering info			Q'TY
					THESE DRAWINGS AND SPECIFICATIONS ARE THE PROPERTY OF ACCURATE INNOTECH INC AND SHALL NOT BE REPRODUCED, COPIED OR USED IN ANY MANNER WITHOUT THE PRIOR WRITTEN CONSENT OF ACCURATE INNOTECH INC.		

雅安科技有限公司 ACCURATE INNOTECH INC.			
TITLE: DIP DC POWER JACK		PART NO.: DCB0-0005Y	
DR: Ricky 2019/03/05		DWG NO.: AB0-0005Y	
CHKD: Ricky 2019/03/05		SCALE	SHEET
APPD:		1:1	1/1
		REV.	CUSTOMER DRAWING
		A	