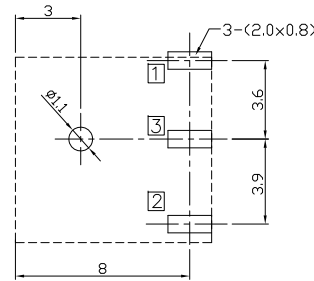
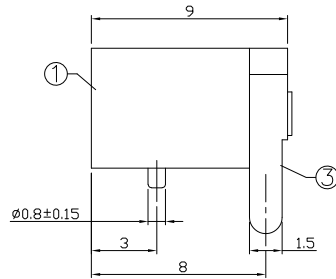
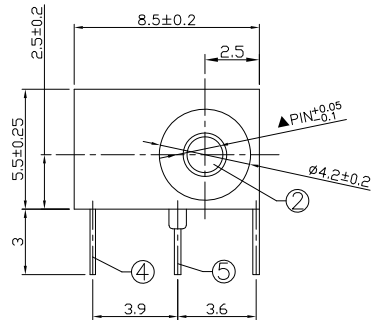




RoHS  
Compliant  
2002/95/EC

REV.	ECN. NO.	APPD.

### DIMENSIONS



Recommended PCB Layout  
(Tolerance±0.05)  
(Copper-sided View)

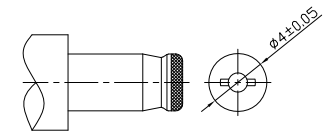
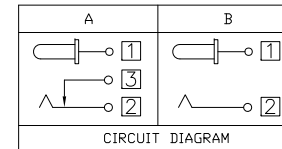
### MODEL CODE:

DCB0-0006D- A G 66 BK T 0 4

- (1):Series type:DIP DC POWER JACK.
- (2):Series No.
- (3):Schematic option: A , B
- (4):Center pin diameter:  
G=Ø1.65
- (5):Material of housing:  
66=PA66 (Standard)
- (6):Housing color:  
BK=Black
- (7):Terminal plating  
T=Tin(Sn)
- (8):Special option:  
0=No special option
- (9):Packing mode:  
4=Bag packing

### Specification:

- 1.Rating : DC 20V/2A.
- 2.Contact resistance: ≤30mΩ  
After test:≤50mΩ
- 3.Insulation resistance: ≥100MΩ (500VDC).  
After test:≥50MΩ
- 4.Withstanding voltage: 500VAC.
- 5.Insertion and extraction force: 3N~30N.
- 6.Life test: 5000 cycles min.
- 7.Operation temperature range:-20℃~70℃.
- 8.Preservative temperature range:-40℃~85℃.



DC MATE PLUG

Model No.	G
CENTER PIN	Ø1.65

○: ITEM NO. □: TERMINAL NO.

NO.	PARTS	MATERIAL	Q'TY	FINISHING	TOLERANCE	ANGLES	UNITS mm
⑤	Shunt terminal ③	Brass t=0.3mm	1	Tin plating	±0.3	±2'	MAT'L
④	Tip spring ②	Sainless steel t=0.25mm	1	Tin plating			SEE NOTE
③	Center pin terminal ①	Brass t=0.3mm	1	Tin plating			FINISH
②	Center pin ①	Brass	1	Nickel plating			SEE NOTE
①	Housing	PA66	1	Black			Q'TY

THESE DRAWINGS AND SPECIFICATIONS ARE THE PROPERTY OF ACCURATE INNOTECH INC AND SHALL NOT BE REPRODUCED, COPIED OR USED IN ANY MANNER WITHOUT THE PRIOR WRITTEN CONSENT OF ACCURATE INNOTECH INC.

雅安科技有限公司 ACCURATE INNOTECH INC.			
TITLE: DIP DC POWER JACK		PART NO.: DCB0-0006D	
DR: <i>Ricky</i> 2019/03/06		DWG NO.: AB0-0006D	
CHKD: <i>Ricky</i> 2019/03/06		SCALE	SHEET
APPD:		1:1	1/1
		REV.	CUSTOMER DRAWING
		A	