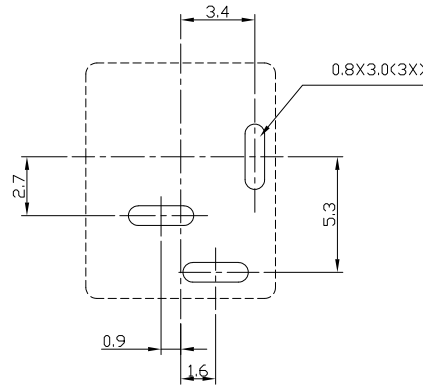
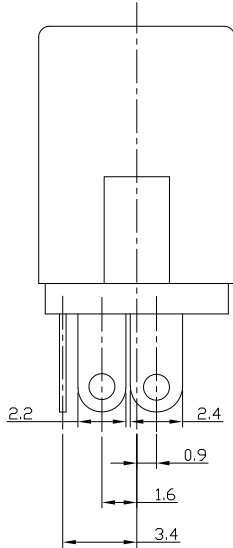
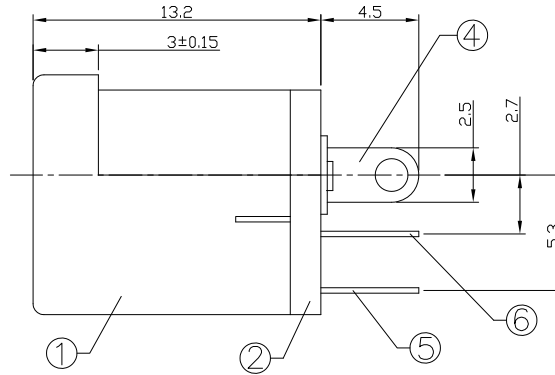
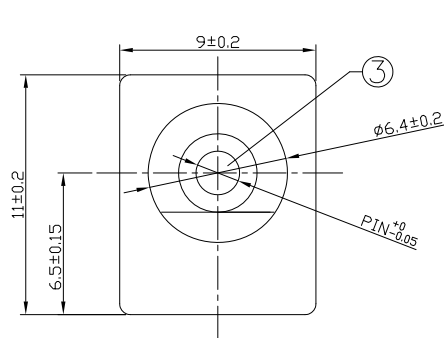




RoHS
Compliant
2002/95/EC

REV.	ECN. NO.	APPD.

DIMENSIONS



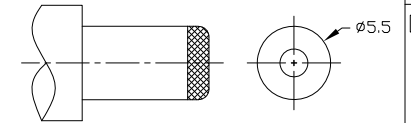
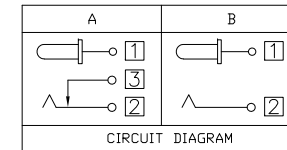
RECOMMENDED PCB LAYOUT
TOLERANCE: ±0.05mm
(BOTTOM VIEW)

MODEL CODE:

- DCB0-00120- A □ PB BK I 0 4
 (1) (2) (3)(4) (5) (6) (7)(8) (9)
 (1):Series type:DIP DC POWER JACK.
 (2):Series No.
 (3):Schematic option: A , B
 (4):Center pin diameter:
 H=∅2.0 , I=∅2.35 , J=∅2.5
 (5):Material of housing:
 PB=PBT (Standard)
 (6):Housing color:
 BK=Black , 4H=Yellow(0039)
 (7):Terminal plating
 T=Tin(Sn) , S=Silver(Ag)
 (8):Special option:
 0=No special opion
 (9):Packing mode:
 4=Bag packing

Specification:

- Rating : DC 20V/2A.
- Contact resistance: ≤50mΩ
After test:≤100mΩ
- Insulation resistance: ≥100MΩ (500VDC).
After test:≥50MΩ
- Withstanding voltage: 500VAC.
- Insertion and extraction force: 3N-30N.
- Life test: 5000 cycles min.
- Operation temperature range:-20℃~70℃.
- Preservative temperature range:-40℃~85℃.



DC MATE PLUG

Model No.	H	I	J
CENTER PIN	∅2.0	∅2.35	∅2.5

○: ITEM NO. □: TERMINAL NO.

NO.	PARTS	MATERIAL	Q'TY	FINISHING	TOLERANCE	ANGLES	UNITS
⑥	Shunt terminal ③	Brass T=0.3	1	Tin plating			mm
⑤	Tip spring ②	Manganese steel t=0.2	1	Tin plating	±0.3	±2'	MAT'L
④	Center pin terminal ①	Brass t=0.3	1	Tin plating			SEE NOTE
③	Center pin ①	Copper alloy	1	CuSn plating			FINISH
②	Cover	PF	1	Brown			SEE NOTE
①	Housing	PBT	1				Q'TY

THESE DRAWINGS AND SPECIFICATIONS ARE THE PROPERTY OF ACCURATE INNOTECH INC AND SHALL NOT BE REPRODUCED, COPIED OR USED IN ANY MANNER WITHOUT THE PRIOR WRITTEN CONSENT OF ACCURATE INNOTECH INC.

雅安科技有限公司 ACCURATE INNOTECH INC.			
TITLE: DIP DC POWER JACK		PART NO.: DCB0-00120	
DR: <i>Ricky</i> 2019/03/07		DWG NO.: AB0-00120	
CHKD: <i>Ricky</i> 2019/03/07		SCALE	SHEET
APPD:	1:1	1/1	REV. A
			CUSTOMER DRAWING