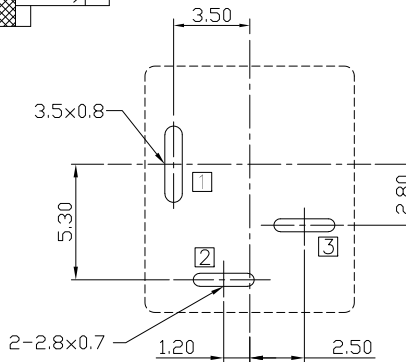
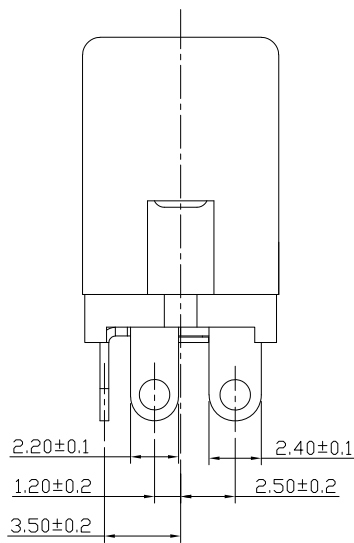
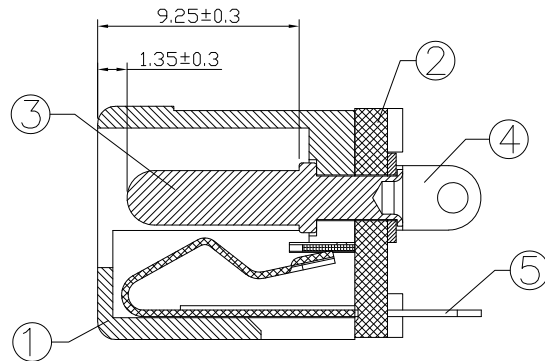
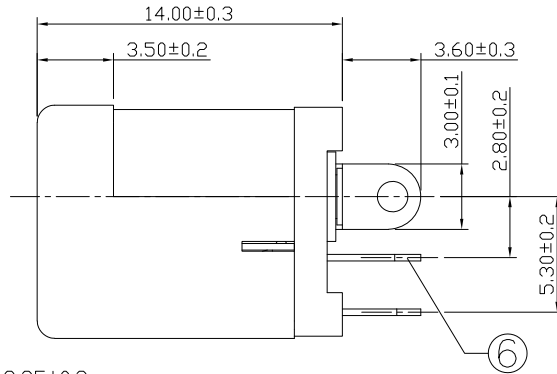
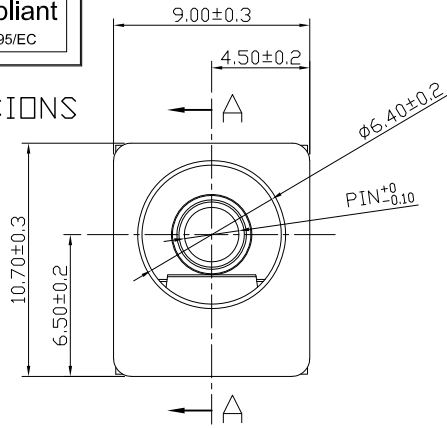




RoHS Compliant
2002/95/EC

DIMENSIONS



PCB HOLES(TOP VIEW) t=1.6mm
NOTE:GENERAL TOLERANCE:±0.05mm

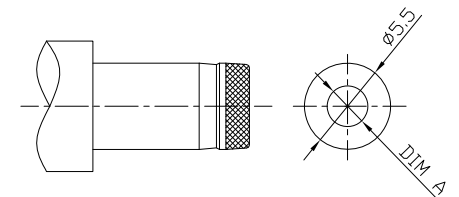
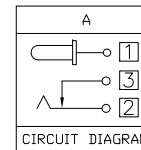
MODEL CODE:

DCB0-0012D- A □ PB BK T 0 4
(1) (2) (3)(4) (5) (6) (7)(8) (9)

- (1):Series type:DIP DC POWER JACK.
- (2):Series No.
- (3):Schematic option: A
- (4):Center pin diameter:
H=φ2.0 , J=φ2.5 , K=φ3.0
- (5):Material of housing:
PB=PBT
- (6):Housing color:
BK=Black (Standard)
8D=Gray (XH1095)427C
- (7):Terminal plating
S=Silver(Ag 8u")
T=Tin(sn 120u")
- (8):Special option:
0=No special option
- (9):Packing mode:
3=Plastic box packing
4=Bag packing

Specification:

- 1.Rating :DC 12V 5A.
- 2.Contact resistance :≤30mΩ
After test:≤50mΩ
- 3.Insulation resistance : ≥100MΩ (500VDC).
After test:≥50MΩ
- 4.Withstanding voltage: 500VAC .
- 5.Insertion and extraction force: 3N~30N.
- 6.life test: 5000cycles min.
- 7.Operation temperature range:-20℃~70℃.
- 8.Preservative temperature range:-40℃~85℃.



Model No.	H	J	K
CENTER PIN	φ2.0	φ2.5	φ3.0
PLUG D.D.	φ2.05 ^{+0.10} / _{-0.00}	φ2.55 ^{+0.10} / _{-0.00}	φ3.05 ^{+0.10} / _{-0.00}

○: ITEM NO. □: TERMINAL NO.

NO.	PARTS	MATERIAL	Q'TY	FINISHING
⑥	Shunt terminal ③	Brass (C2680 t=0.3)	1	See"Ordering information"
⑤	Tip spring ②	Phosphor bronze (C5210 t=0.3)	1	See"Ordering information"
④	Center pin terminal ①	Brass (C2680 t=0.40)	1	See"Ordering information"
③	Center pin ①	Brass (H65)	1	CuSn plating
②	Cover	PBT UL94V-0	1	Black
①	Housing	PBT UL94V-0	1	See P/D

THESE DRAWINGS AND SPECIFICATIONS ARE THE PROPERTY OF ACCURATE INNOTECH INC AND SHALL NOT BE REPRODUCED, COPIED OR USED IN ANY MANNER WITHOUT THE PRIOR WRITTEN CONSENT OF ACCURATE INNOTECH INC.

UNITS	雅安科技有限公司 ACCURATE INNOTECH INC.			
mm	TITLE: DIP DC POWER JACK		PART NO.: DCB0-0012D	
MAT'L	DR: <i>Ricky</i> 2022/03/28		DWG NO.: AB0-0012D	
SEE NOTE	CHKD: <i>Ricky</i> 2022/03/28		SCALE SHEET REV. CUSTOMER	
FINISH	APPD:		1:1	1/1 A DRAWING
SEE NOTE				
Q'TY				