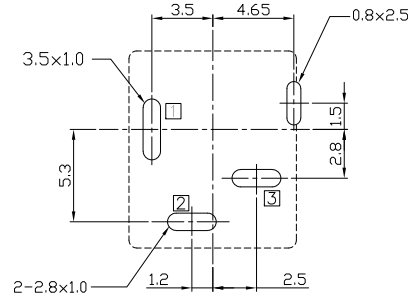
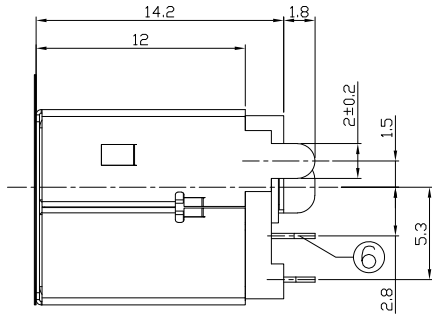
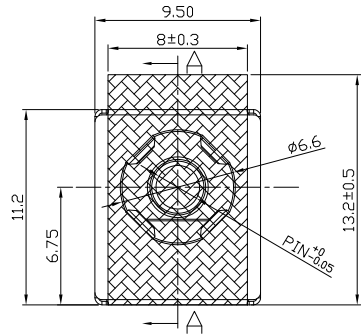




RoHS Compliant  
2002/95/EC

REV.	ECN. NO.	APPD.

### DIMENSIONS



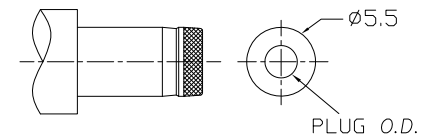
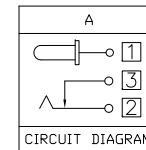
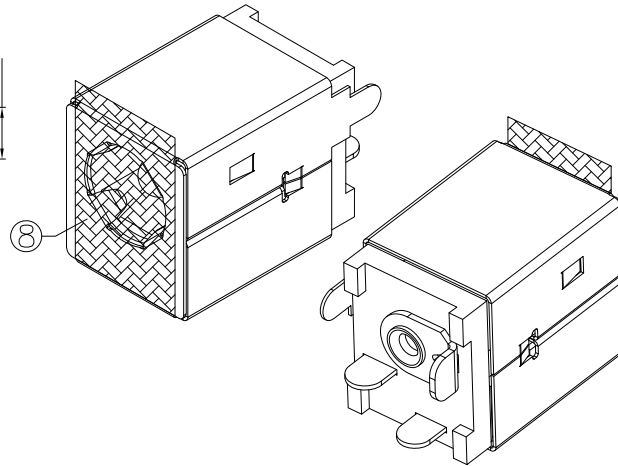
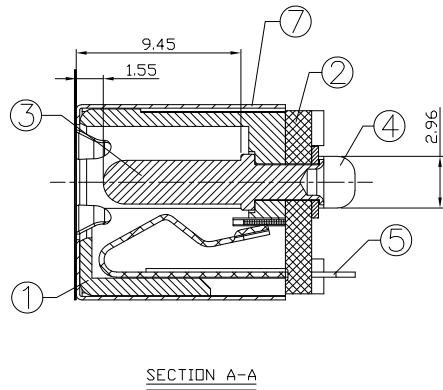
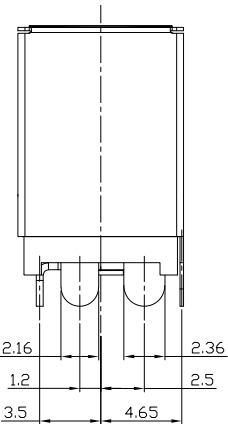
RECOMMENDED P.C.B. LAYOUT  
UNSPECIFIED TOLERANCE:±0.05  
(TOP VIEW)

### MODEL CODE:

- DCB0-0012G- A □ 9T BK S 0 1  
(1) (2) (3)(4) (5) (6) (7)(8) (9)
- (1):Series type:DIP DC POWER JACK.
  - (2):Series No.
  - (3):Schematic option: A
  - (4):Center pin diameter:  
G=φ1.65 , H=φ2.0 , J=φ2.5
  - (5):Material of housing:  
9T=PA9T (Default)
  - (6):Housing color:  
BK=Black
  - (7):Terminal plating  
S=Silver(Ag)
  - (8):Special option:  
0=No special option
  - (9):Packing mode:  
1=Reel packing

### Specification:

- 1.Rating :DC 20V 7A.
- 2.Contact resistance :≤30mΩ  
After test:≤50mΩ
- 3.Insulation resistance : ≥100MΩ (500VDC).  
After test:≥50MΩ
- 4.Withstanding voltage: 500VAC .
- 5.Insertion and extraction force: 3N~30N.
- 6.life test: 5000cycles min.
- 7. Operation temperature range:-20℃~70℃.
- 8.Preservative temperature range:-40℃~85℃.



DC MATE PLUG

Model No.	G	H	J
CENTER PIN	φ1.65	φ2.0	φ2.5
PLUG O.D.	φ1.70 <sup>+0.10</sup> <sub>-0.00</sub>	φ2.05 <sup>+0.10</sup> <sub>-0.00</sub>	φ2.55 <sup>+0.10</sup> <sub>-0.00</sub>

○: ITEM NO. □: TERMINAL NO.

⑧	Mylar	Polyimide	1	Yellow
⑦	Shell	Stainless stell t=0.2	1	Nickel plating
⑥	Shunt terminal ③	Brass t=0.3	1	Silver plating
⑤	Tip spring ②	Phosphor bronze t=0.3	1	Silver plating
④	Center pin terminal ①	Brass t=0.4	1	Silver plating
③	Center pin ①	Brass	1	Nickel plating
②	Cover	PA9T,UL94V-0	1	Black
①	Housing	PA9T,UL94V-0	1	Black
NO.	PARTS	MATERIAL	Q'TY	FINISHING

THESE DRAWINGS AND SPECIFICATIONS ARE THE PROPERTY OF ACCURATE INNOTECH INC AND SHALL NOT BE REPRODUCED, COPIED OR USED IN ANY MANNER WITHOUT THE PRIOR WRITTEN CONSENT OF ACCURATE INNOTECH INC.

TOLERANCE	ANGLES	UNITS	雅安科技有限公司 ACCURATE INNOTECH INC.			
±0.3	±2'	mm	TITLE: DIP DC POWER JACK		PART NO.: DCB0-0012G	
		MAT'L	DR: <i>Ricky</i> 2019/03/07		DWG NO.: AB0-0012G	
		SEE NOTE	CHKD: <i>Ricky</i> 2019/03/07			
		FINISH	APPD:		SCALE SHEET REV. CUSTOMER 1:1 1/1 A DRAWING	
		SEE NOTE				
		Q'TY				