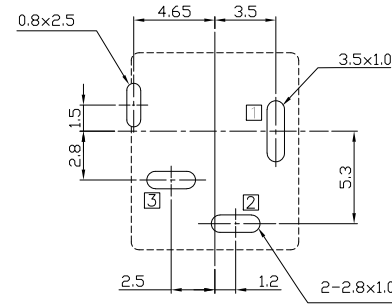
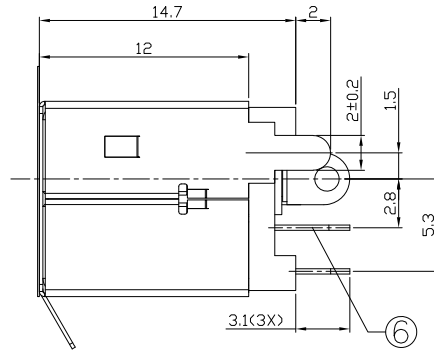
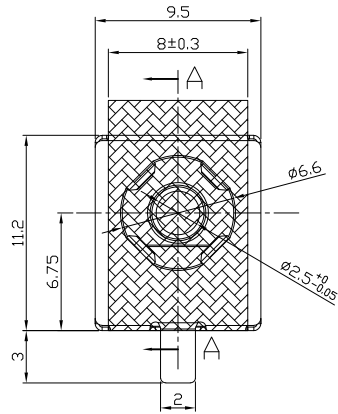




RoHS  
Compliant  
2002/95/EC

| REV. | ECN. | NO. | APPD. |
|------|------|-----|-------|
|      |      |     |       |
|      |      |     |       |

### DIMENSIONS



P.C.B Layout  
(Copper-sided view)

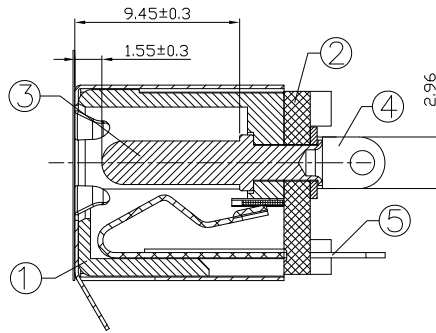
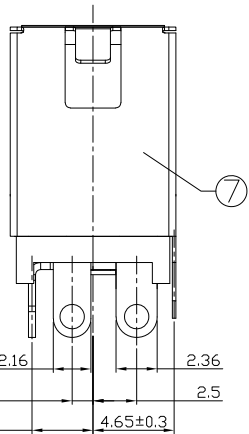
### MODEL CODE:

DCB0-0012H- A J 10 BK S H 1

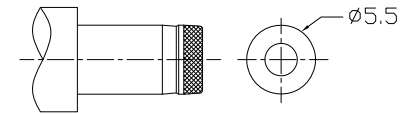
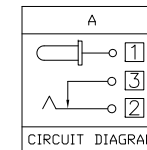
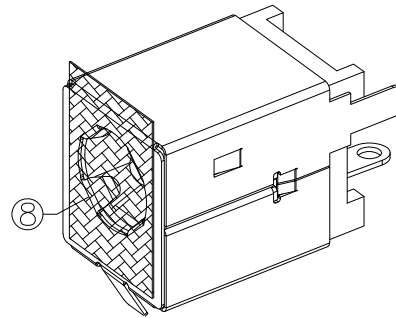
- (1) (2) (3)<(4)<(5) (6) (7)<(8) (9)
- (1):Series type:DIP DC POWER JACK.
- (2):Series No.
- (3):Schematic option: A
- (4):Center pin diameter: J=φ2.5
- (5):Material of housing:  
10=PA10T
- (6):Housing color:  
BK=Black
- (7):Terminal plating  
S=Silver(Ag)
- (8):Special option:  
0=No special option  
H=Halogen Free
- (9):Packing mode:  
1=Reel packing

### Specification:

- 1.Rating :DC 20V 1A.
- 2.Contact resistance :≤30mΩ  
After test:≤50mΩ
- 3.Insulation resistance : ≥100MΩ (500VDC).  
After test:≥50MΩ
- 4.Withstanding voltage: 500VAC .
- 5.Insertion and extraction force: 3N~30N.
- 6.life test: 5000cycles min.
- 7. Operation temperature range:-20℃~70℃.
- 8.Preservative temperature range:-40℃~85℃.



SECTION A-A



DC MATE PLUG

○: ITEM NO. □: TERMINAL NO.

| NO. | PARTS                 | MATERIAL              | Q'TY | FINISHING      | TOLERANCE | ANGLES | UNITS    |
|-----|-----------------------|-----------------------|------|----------------|-----------|--------|----------|
| 8   | Mylar                 | Polyimide             | 1    |                | ±0.3      | ±2'    | mm       |
| 7   | Shell                 | SUS301 t=0.2          | 1    | Nickel plating |           |        |          |
| 6   | Shunt terminal 3      | Brass t=0.3           | 1    | Silver plating |           |        |          |
| 5   | Tip spring 2          | Phosphor bronze t=0.3 | 1    | Silver plating |           |        | SEE NOTE |
| 4   | Center pin terminal 1 | Brass t=0.4           | 1    | Silver plating |           |        |          |
| 3   | Center pin 1          | Brass                 | 1    | Nickel plating |           |        | FINISH   |
| 2   | Cover                 | PA10T                 | 1    | Black          |           |        | SEE NOTE |
| 1   | Housing               | PA10T                 | 1    | Black          |           |        | Q'TY     |
|     |                       |                       |      |                |           |        |          |

THESE DRAWINGS AND SPECIFICATIONS ARE THE PROPERTY OF ACCURATE INNOTECH INC AND SHALL NOT BE REPRODUCED, COPIED OR USED IN ANY MANNER WITHOUT THE PRIOR WRITTEN CONSENT OF ACCURATE INNOTECH INC.

|                                    |     |                         |                  |
|------------------------------------|-----|-------------------------|------------------|
| 雅安科技有限公司<br>ACCURATE INNOTECH INC. |     |                         |                  |
| TITLE:<br>DIP DC POWER JACK        |     | PART NO.:<br>DCB0-0012H |                  |
| DR: Ricky 2019/03/07               |     | DWG NO.:<br>AB0-0012H   |                  |
| CHKD: Ricky 2019/03/07             |     | SCALE                   | SHEET            |
| APPD:                              | 1:1 | 1/1                     | REV. A           |
|                                    |     |                         | CUSTOMER DRAWING |