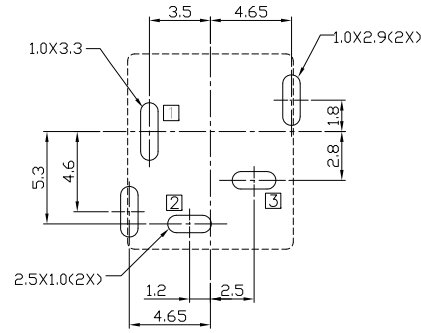
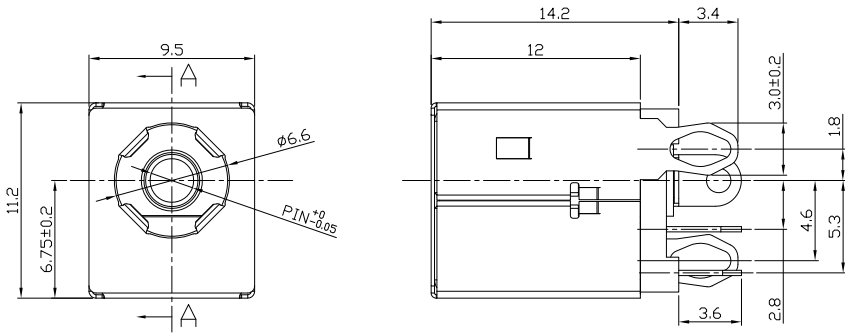




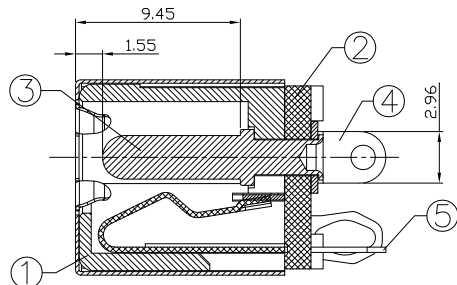
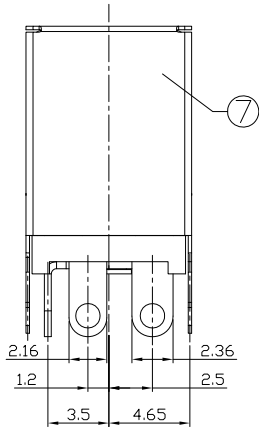
RoHS
Compliant
2002/95/EC

REV.	ECN.	NO.	APPD.

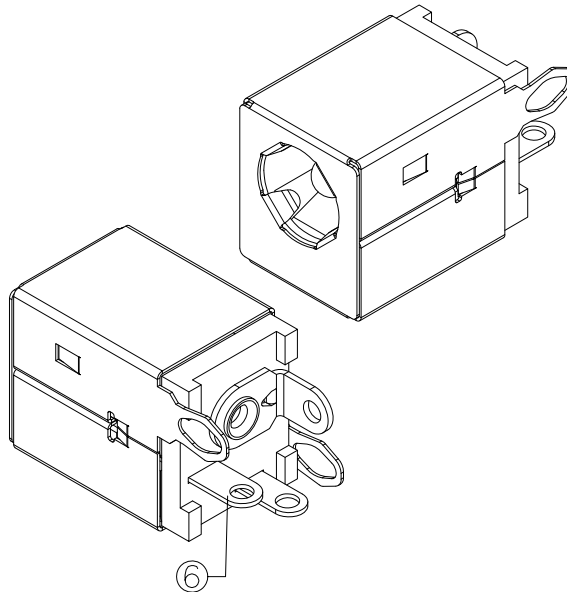
DIMENSIONS



RECOMMENDED P.C.B. LAYOUT
UNSPECIFIED TOLERANCE:±0.05
(TOP SIDED VIEW)



SECTION A-A



MODEL CODE:

DCB0-0012K- A □ PB BK S 0 3

(1) (2) (3)(4) (5) (6) (7)(8) (9)

(1):Series type:DIP DC POWER JACK.

(2):Series No.

(3):Schematic option: A

(4):Center pin diameter:

G=φ1.65 , H=φ2.0 , J=φ2.5

(5):Material of housing:

PB=PBT (Standard)

(6):Housing color:

BK=Black

(7):Terminal plating

S=Silver(Ag)

(8):Special option:

0=No special option

(9):Packing mode:

3=Plastic box packing

Specification:

1.Rating :DC 20V 5A.

2.Contact resistance :≤30mΩ

After test:≤50mΩ

3.Insulation resistance : ≥100MΩ (500VDC).

After test:≥50MΩ

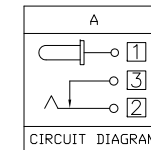
4.Withstanding voltage: 500VAC .

5.Insertion and extraction force: 3N~30N.

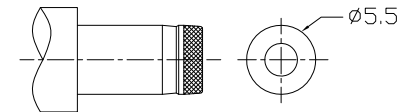
6.life test: 5000cycles min.

7. Operation temperature range:-20℃~70℃.

8.Preservative temperature range:-40℃~85℃.



CIRCUIT DIAGRAM



DC MATE PLUG

Model No.	G	H	J
CENTER PIN	φ1.65	φ2.0	φ2.5

○: ITEM NO. □: TERMINAL NO.

NO.	PARTS	MATERIAL	Q'TY	FINISHING
⑦	Shell	Stainless stell t=0.2	1	Nickel plating
⑥	Shunt terminal ③	Brass t=0.3	1	Silver plating
⑤	Tip spring ②	Phosphor bronze t=0.3	1	Silver plating
④	Center pin terminal ①	Brass t=0.4	1	Silver plating
③	Center pin ①	Brass	1	Nickel plating
②	Cover	PA9T,UL94V-0	1	Black
①	Housing	PA9T,UL94V-0	1	Black

THESE DRAWINGS AND SPECIFICATIONS ARE THE PROPERTY OF ACCURATE INNOTECH INC AND SHALL NOT BE REPRODUCED, COPIED OR USED IN ANY MANNER WITHOUT THE PRIOR WRITTEN CONSENT OF ACCURATE INNOTECH INC.

TOLERANCE	ANGLES	UNITS	雅安科技有限公司 ACCURATE INNOTECH INC.			
±0.3	±2°	mm				
		MAT'L	TITLE:		PART NO.:	
		SEE NOTE	DIP DC POWER JACK		DCB0-0012K	
		FINISH	DR: <i>Ricky</i> 2019/03/07		DWG NO.:	
		SEE NOTE	CHKD: <i>Ricky</i> 2019/03/07		AB0-0012K	
		Q'TY	APPD:		SCALE	SHEET
					1:1	1/1
					REV.	CUSTOMER
					A	DRAWING