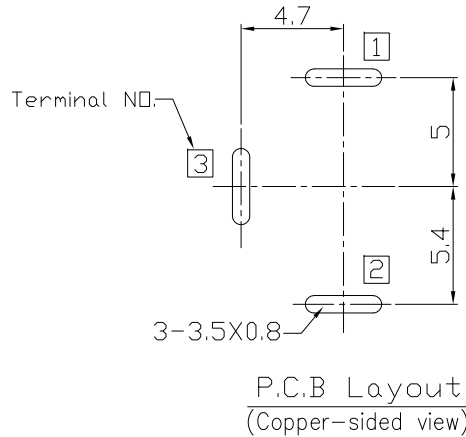
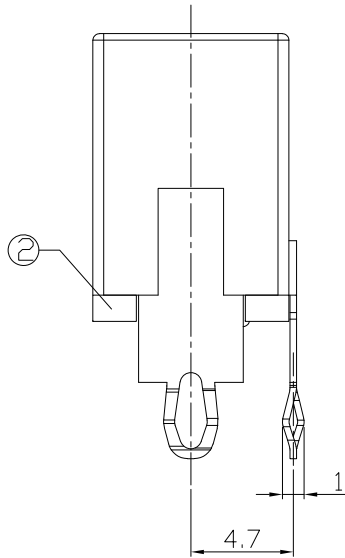
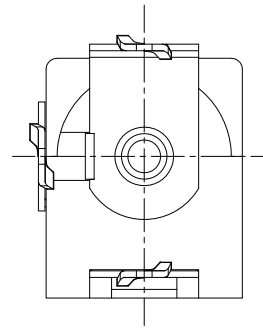
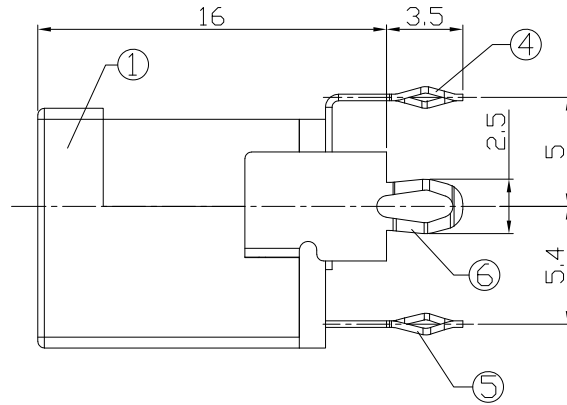
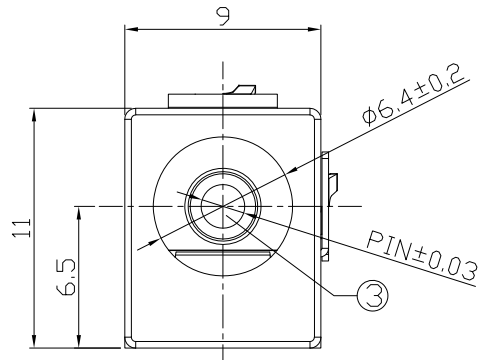




RoHS
Compliant
2002/95/EC

REV.	ECN.	NO.	APPD.

DIMENSIONS



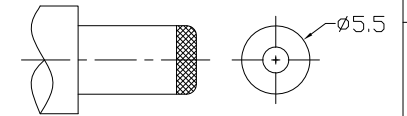
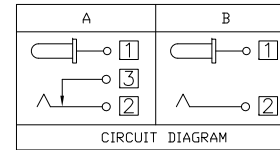
MODEL CODE:

DCB0-0013C- A □ PB BK I 0 4

- (1) (2) (3)(4) (5) (6) (7)(8) (9)
 (1):Series type:DIP DC POWER JACK.
 (2):Series No.
 (3):Schematic option: A , B
 (4):Center pin diameter:
 H=∅2.0 , I=∅2.35 , J=∅2.5
 (5):Material of housing:
 PB=PBT (Standard)
 (6):Housing color:
 BK=Black , 9C=White
 (7):Terminal plating
 T=Tin(Sn)
 (8):Special option:
 0=No special opion
 (9):Packing mode:
 4=Bag packing

SPECIFICATION:

- Rating : DC 12V 3A;
- Contact resistance: ≤30mΩ;
- Insulation resistance: ≥100MΩ (DC250V);
- Withstand voltage: 500VAC ;
- Insertion and extraction force: 3-30N;
- life test: 5,000 cycles;
- Operation temperature range:-20°C~70°C;
- Preservative temperature range:-40°C~85°C;



Model No.	H	I	J
CENTER PIN	∅2.0	∅2.35	∅2.5

○: ITEM NO. □: TERMINAL NO.

NO.	PARTS	MATERIAL	Q'TY	FINISHING	TOLERANCE	ANGLES	UNITS
⑥	Shunt terminal ③	Brass t=0.3	1	Tin Plating	±0.3	±2°	mm
⑤	Tip spring ②	Phosphor bronze t=0.3	1	Tin Plating			MAT'L
④	Center pin terminal ①	Brass t=0.3	1	Tin Plating			SEE NOTE
③	Center pin ①	Brass	1	Nickel plating			FINISH
②	Cover	PF	1				SEE NOTE
①	Housing	PBT UL-94V-0	1				Q'TY
					<small>THESE DRAWINGS AND SPECIFICATIONS ARE THE PROPERTY OF ACCURATE INNOTECH INC AND SHALL NOT BE REPRODUCED, COPIED OR USED IN ANY MANNER WITHOUT THE PRIOR WRITTEN CONSENT OF ACCURATE INNOTECH INC.</small>		

雅安科技有限公司 ACCURATE INNOTECH INC.			
TITLE: DIP DC POWER JACK		PART NO.: DCB0-0013C	
DR: <i>Ricky</i> 2019/04/09		DWG NO.: AB0-0013C	
CHKD: <i>Ricky</i> 2019/04/09		SCALE	SHEET
APPD:	1:1	1/1	REV. A
		CUSTOMER DRAWING	