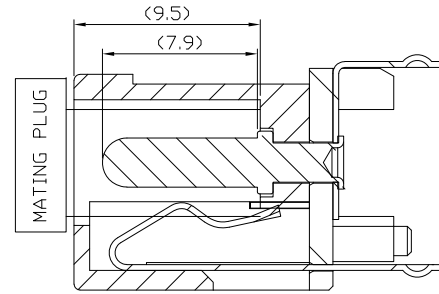
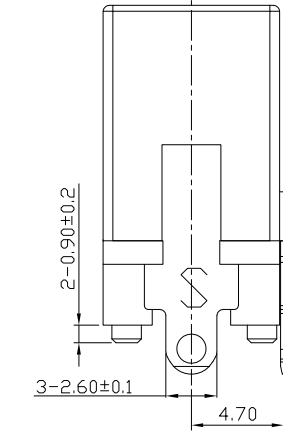
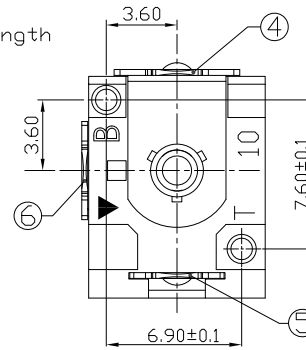
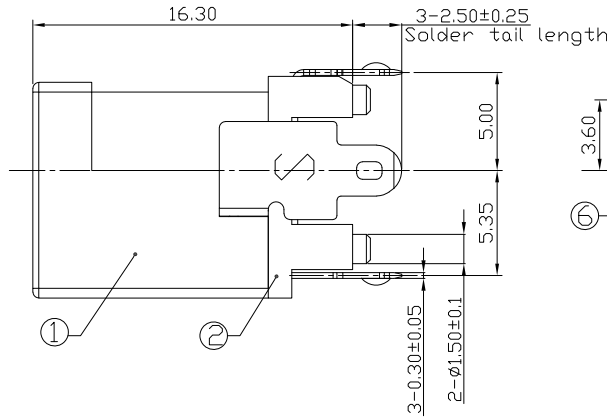
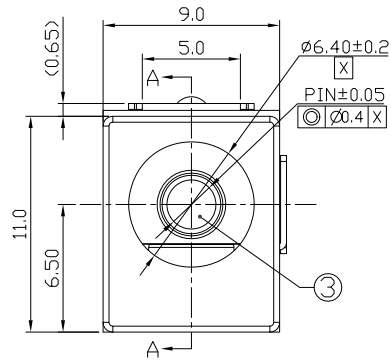




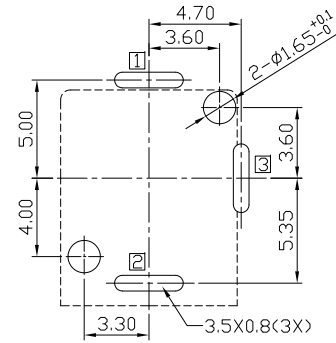
RoHS
Compliant
2002/95/EC

Halogen Free

DIMENSIONS



SECTION A-A



PCB HOLES(TOP VIEW) t=1.2mm
NOTE:GENERAL TOLERANCE:±0.05mm

MODEL CODE:

DCB0-0013S- A □ 10 BK A H 3

(1) (2) (3)(4)(5) (6)(7)(8) (9)

(1):Series type:DIP DC POWER JACK.

(2):Series No.

(3):Schematic option: A

(4):Center pin diameter:

H=ø2.0, J=ø2.5

(5):Material of housing:

10=PA10T

(6):Housing color:

BK=Black

(7):Terminal plating:

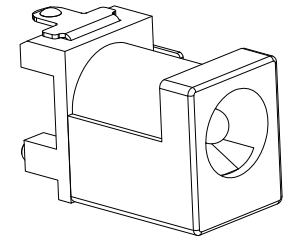
A=Silver Plating

(8):Special option:

H=Halogen Free

(9):Packing mode:

3=Tray packing



3D

Specification:

1.Rating: DC 20V 4A;

2.Contact resistance: ≤30mΩ;

After test: ≤50mΩ

3.Insulation resistance: ≥100MΩ(500VDC);

After test: ≥50MΩ

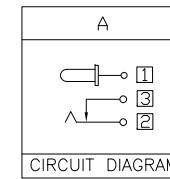
4.Withstand voltage: 500VAC;

5.Insertion and extraction force: 3N~30N;

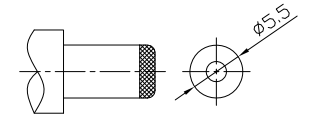
6.life test: 5000cycles min;

7.□operation temperature range: -20℃~70℃;

8.Preservation temperature range: -40℃~85℃;



CIRCUIT DIAGRAM



DC MATE PLUG

Model No.	H	J
CENTER PIN	ø2.0	ø2.5

○: ITEM NO. □: TERMINAL NO.

NO.	PARTS	MATERIAL	Q'TY	FINISHING
⑥	Shunt terminal ③	Copper Alloy	1	Ni:(40~80u");Ag:20u"
⑤	Tip spring ②	Copper Alloy	1	Ni:(40~80u");Ag:20u"
④	Center pin terminal ①	Copper Alloy	1	Ni:(40~80u");Ag:20u"
③	Center pin	Copper Alloy	1	Ni plating(40~80u")
②	Cover	High-Temp thermoplastic	1	Black, Halogen Free
①	Housing	High-Temp thermoplastic	1	Black, Halogen Free

THESE DRAWINGS AND SPECIFICATIONS ARE THE PROPERTY OF ACCURATE INNOTECH INC AND SHALL NOT BE REPRODUCED, COPIED OR USED IN ANY MANNER WITHOUT THE PRIOR WRITTEN CONSENT OF ACCURATE INNOTECH INC.

UNITS	mm
TOLERANCE	.X ±0.50
.XX ±0.30	.XXX ±0.15
ANGLES	X.* ±5°
.X.* ±3°	.XX.* ±2°

雅安科技有限公司 ACCURATE INNOTECH INC.			
TITLE: DIP DC POWER JACK	PART NO.: DCB0-0013S		
DR: Ricky 2023/10/26	DWG NO.: AB0-0013S		
CHKD: Ricky 2023/10/26	SCALE 1:1	SHEET 1/1	REV. A
APPD:	CUSTOMER DRAWING		