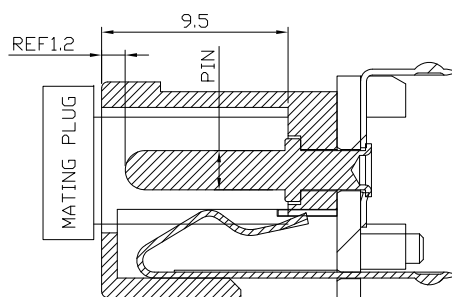
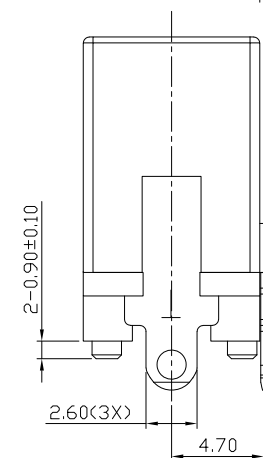
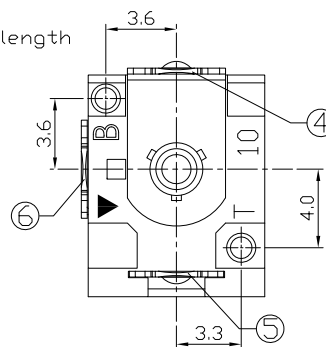
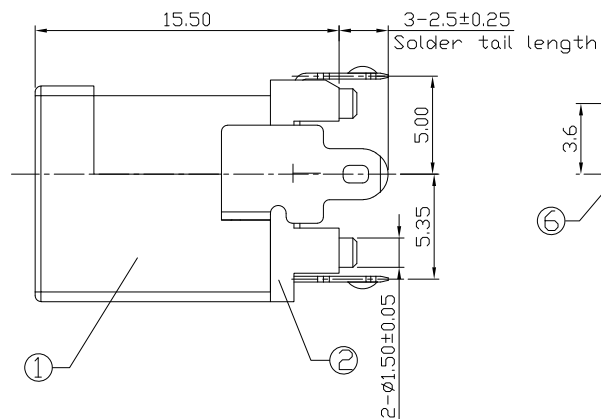
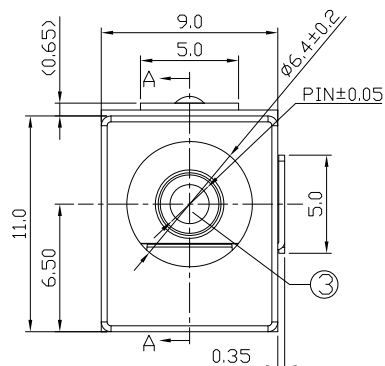




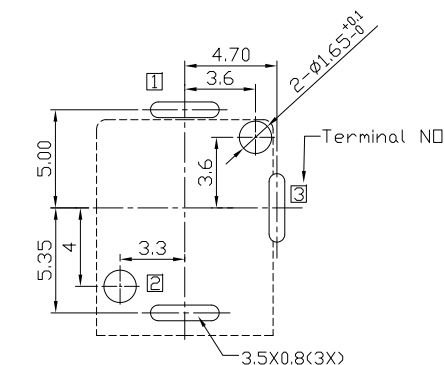
RoHS
Compliant
2002/95/EC

Halogen Free

DIMENSIONS

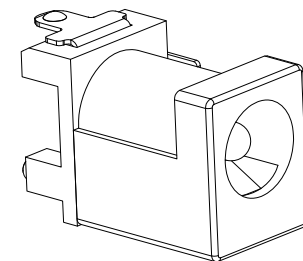


SECTION A-A

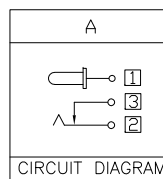


RECOMMENDED P.C.B. LAYOUT
UNSPECIFIED TOLERANCE: ± 0.05
(TOP VIEW)

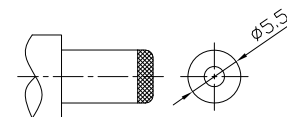
- MODEL CODE:
DCB0-0013T- A □ 10 BK A H 3
(1) (2) (3)(4)(5) (6)(7) (8) (9)
(1):Series type:DIP DC POWER JACK.
(2):Series No.
(3):Schematic option: A
(4):Center pin diameter:
H= $\phi 2.0$, J= $\phi 2.5$
(5):Material of housing:
10=PA10T
(6):Housing color:
BK=Black
(7):Terminal plating:
A=Silver Plating
T=Sn
M=Matte Tin(雾锡)
(8):Special option:
H=Halogen Free
(9):Packing mode:
3=Tray packing



- Specification:
1.Rating: DC 20V 4A;
2.Contact resistance: $\leq 30m\Omega$;
After test: $\leq 50m\Omega$
3.Insulation resistance: $\geq 100M\Omega(500VDC)$;
After test: $\geq 50M\Omega$
4.Withstand voltage: 500VAC;
5.Insertion and extraction force: 3N~30N;
6.life test: 5000cycles min;
7. Operation temperature range: $-20^{\circ}C \sim 70^{\circ}C$;
8.Preservation temperature range: $-40^{\circ}C \sim 85^{\circ}C$;



Model No.	H	J
CENTER PIN	$\phi 2.0$	$\phi 2.5$



DC MATE PLUG

○: ITEM NO. □: TERMINAL NO.

NO.	PARTS	MATERIAL	Q'TY	FINISHING
⑦	Mylar		1	
⑥	Shunt terminal ③	Copper Alloy	1	Matte Tin/Tin:100u"min.
⑤	Tip spring ②	Copper Alloy	1	Matte Tin/Tin:100u"min.
④	Center pin terminal ①	Copper Alloy	1	Matte Tin/Tin:100u"min.
③	Center pin	Copper Alloy	1	Nickel plating(Ni:40u"Min)
②	Cover	High-Temp Thermoplastic	1	Black, Halogen Free
①	Housing	High-Temp Thermoplastic	1	Black, Halogen Free

TOLERANCE	ANGLES	UNITS
.X ± 0.50	X.* $\pm 5^{\circ}$	mm
.XX ± 0.30	.X.* $\pm 3^{\circ}$	MAT'L
.XXX ± 0.15	.XX.* $\pm 2^{\circ}$	SEE NOTE
FINISH		
SEE NOTE		
Q'TY		

DR:	Ricky 2023/10/26
CHKD:	Ricky 2023/10/26
APPD:	

雅安科技有限公司 ACCURATE INNOTECH INC.			
TITLE: DIP DC POWER JACK		PART NO.: DCB0-0013T	
DR: Ricky 2023/10/26		DWG NO.: AB0-0013T	
CHKD: Ricky 2023/10/26		SCALE	SHEET
APPD:		1:1	1/1
		REV.	CUSTOMER DRAWING
		A	

THESE DRAWINGS AND SPECIFICATIONS ARE THE PROPERTY OF ACCURATE INNOTECH INC. AND SHALL NOT BE REPRODUCED, COPIED OR USED IN ANY MANNER WITHOUT THE PRIOR WRITTEN CONSENT OF ACCURATE INNOTECH INC.