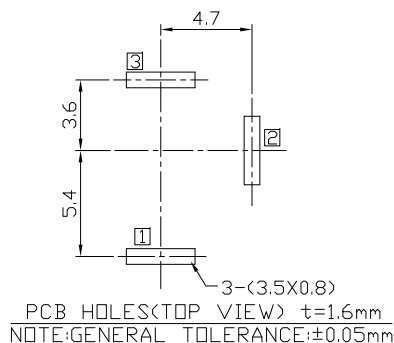
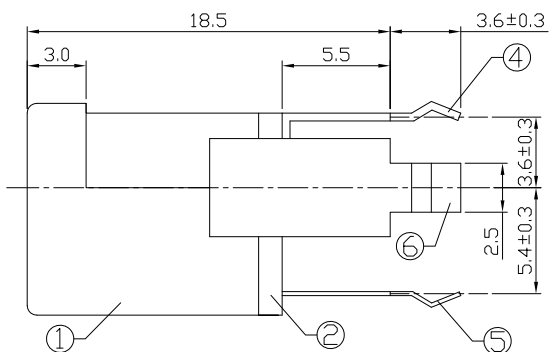
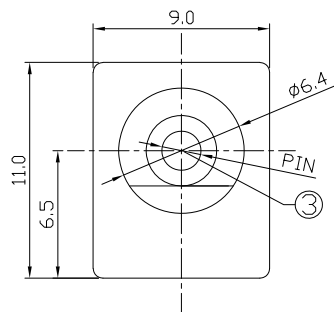




RoHS
Compliant
2002/95/EC

DIMENSIONS



MODEL CODE:

DCB0-0014A- A □ PB BK T 0 4

(1) (2) (3)<(4)<(5) (6)<(7)<(8) (9)

(1):Series type:DIP DC POWER JACK.

(2):Series No.

(3):Schematic option: A,B

(4):Center pin diameter:

H=∅2.0, I=∅2.35, J=∅2.5

(5):Material of housing:

PB=PBT

(6):Housing color:

BK=Black

(7):Terminal plating:

T=Tin Plating

(8):Special option:

0=No option

(9):Packing mode:

4=Bag Packing

Specification:

1.Rating: DC 20V 2.5A.

2.Contact resistance: ≤50mΩ

After life test: ≤100mΩ

3.Insulation resistance: ≥100MΩ (500VDC).

After life test: ≥50MΩ

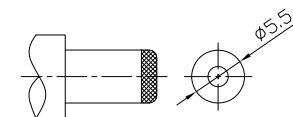
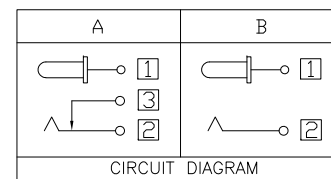
4.Withstand voltage: 500VAC.

5.Insertion and extraction force: 3N~30N.

6.life test: 5000cycles min.

7.∅peration temperature range: -20℃~70℃.

8.Preservative temperature range: -40℃~85℃.



DC MATE PLUG

Model No.	H	I	J
CENTER PIN	∅2.0	∅2.35	∅2.5

○: ITEM NO. □: TERMINAL NO.

NO.	PARTS	MATERIAL	Q'TY	FINISHING	TOLERANCE	ANGLES	UNITS	雅安科技有限公司 ACCURATE INNOTECH INC.			
6	Shunt terminal 3	Brass	1	Tin plating	.X ±0.50	X.* ±5°	mm	雅安科技有限公司 ACCURATE INNOTECH INC. TITLE: DIP DC POWER JACK PART NO.: DCB0-0014A DR: Ricky 2023/10/26 DWG NO.: AB0-0014A CHKD: Ricky 2023/10/26 APPD:			
5	Tip spring 2	Tainless steel	1	Tin plating	.XX ±0.30	.X.* ±3°	MAT'L				
4	Center pin terminal 1	Brass	1	Tin plating	.XXX ±0.15	.XX.* ±2°	SEE NOTE				
3	Center pin	Brass	1	CuSn plating			FINISH				
2	Cover	PF	1				SEE NOTE				
1	Housing	PBT	1	Black	THESE DRAWINGS AND SPECIFICATIONS ARE THE PROPERTY OF ACCURATE INNOTECH INC AND SHALL NOT BE REPRODUCED, COPIED OR USED IN ANY MANNER WITHOUT THE PRIOR WRITTEN CONSENT OF ACCURATE INNOTECH INC.		Q'TY	SCALE	SHEET	REV.	CUSTOMER
								1:1	1/1	A	DRAWING