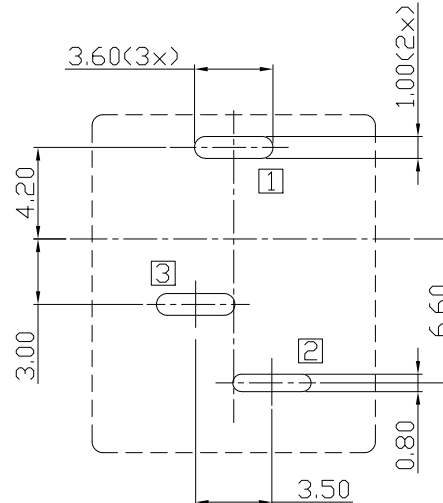
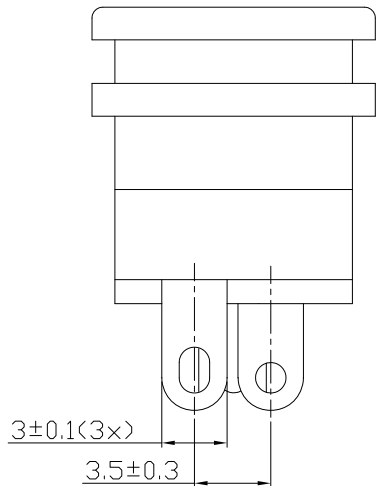
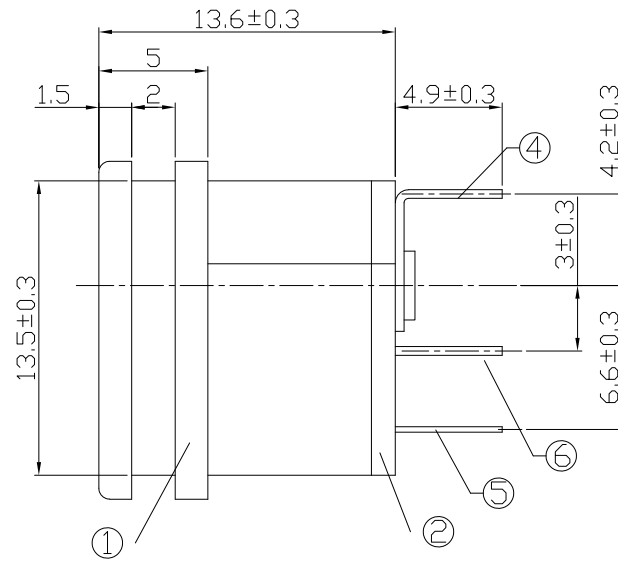
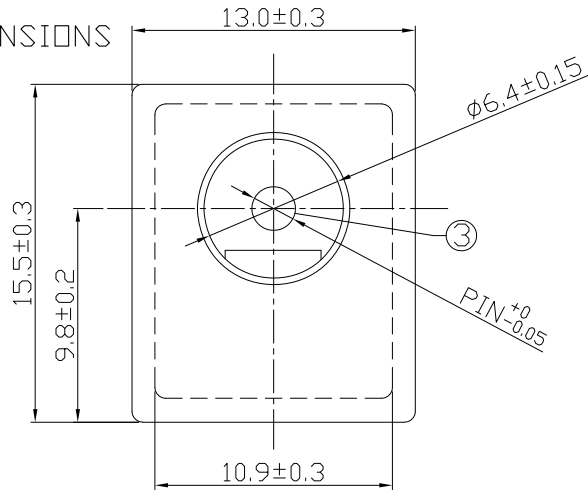




RoHS
Compliant
2002/95/EC

REV.	ECN. NO.	APPD.

DIMENSIONS



RECOMMENDED P.C.B. LAYOUT
UNSPECIFIED TOLERANCE:±0.05
(BOTTOM VIEW)

MODEL CODE:

DCB0-00150- A □ PB BK I 0 4

(1) (2) (3)(4) (5) (6) (7)(8) (9)

(1):Series type:DIP DC POWER JACK.

(2):Series No.

(3):Schematic option: A , B

(4):Center pin diameter:

H=φ2.0 , I=φ2.35 , J=φ2.5, G=φ1.65

(5):Material of housing:

PB=PBT

(6):Housing color:

BK=Black (Standard) , 9A=White<0100>

(7):Terminal plating

T=Tin(Sn)

(8):Special option:

0=No special option

1=2# Material:Manganese steel

(9):Packing mode:

4=Bag packing

SPECIFICATION:

1.Rating : DC 20V 2.5A;

2.Contact resistance: ≤50mΩ;

After test:≤100mΩ

3.Insulation resistance: ≥100MΩ (DC500V);

After test:≥50MΩ

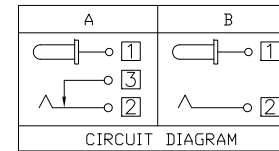
4.Withstand voltage: 500VAC ;

5.Insertion and extraction force: 3-30N;

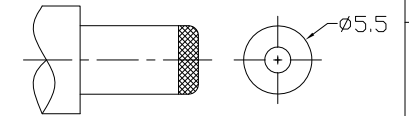
6.life test: 5,000 cycles;

7.Operation temperature range:-20°C~70°C;

8.Preservative temperature range:-40°C~85°C;



CIRCUIT DIAGRAM



DC MATE PLUG

Model No.	H	I	J	G
CENTER PIN	φ2.0	φ2.35	φ2.5	φ1.65

○: ITEM NO. □: TERMINAL NO.

NO.	PARTS	MATERIAL	Q'TY	FINISHING	TOLERANCE	ANGLES	UNITS
⑥	Shunt terminal ③	Brass t=0.4	1	Tin Plating			mm
⑤	Tip spring ②	Stainless steel t=0.25	1	Tin Plating	±0.3	±2'	MAT'L
④	Center pin terminal ①	Brass t=0.4	1	Tin Plating			SEE NOTE
③	Center pin	Copper alloy	1	CuSn/Nickel plating			FINISH
②	Cover	PF	1				SEE NOTE
①	Housing	PBT	1				Q'TY

THESE DRAWINGS AND SPECIFICATIONS ARE THE PROPERTY OF ACCURATE INNOTECH INC AND SHALL NOT BE REPRODUCED, COPIED OR USED IN ANY MANNER WITHOUT THE PRIOR WRITTEN CONSENT OF ACCURATE INNOTECH INC.

雅安科技有限公司 ACCURATE INNOTECH INC.			
TITLE: DIP DC POWER JACK		PART NO.: DCB0-00150	
DR: <i>Ricky</i> 2023/01/09		DWG NO.: AB0-00150	
CHKD: <i>Ricky</i> 2023/01/09		SCALE	SHEET
APPD:		1:1	1/1
		REV.	CUSTOMER DRAWING
		A	