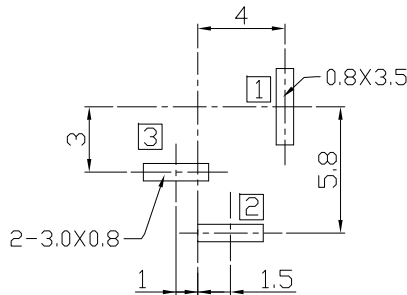
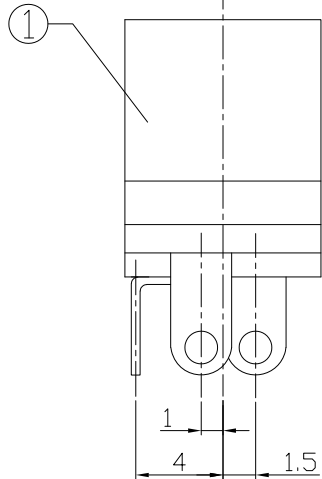
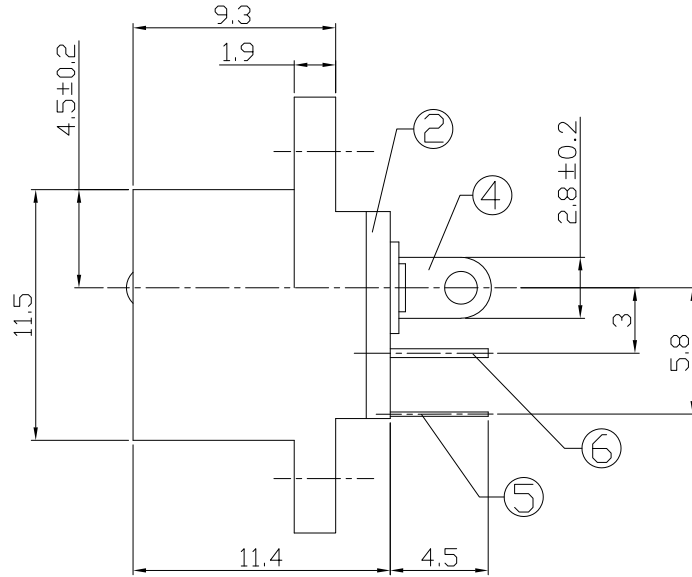
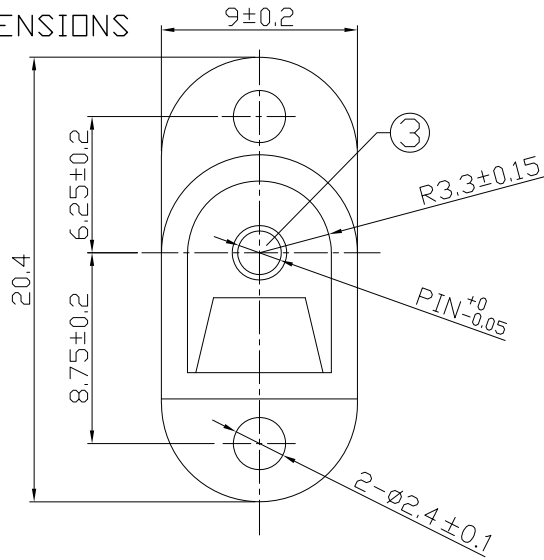




RoHS  
Compliant  
2002/95/EC

REV.	ECN. NO.	APPD.

DIMENSIONS



RECOMMENDED P.C.B. LAYOUT  
UNSPECIFIED TOLERANCE:±0.05  
(COPPER-SIDED VIEW)

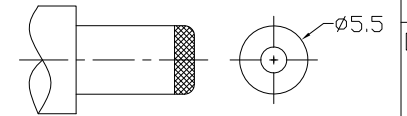
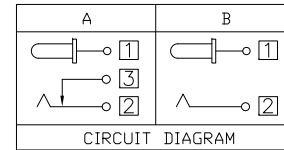
MODEL CODE:

DCB0-00160- A □ PB BK I 0 4

- (1) (2) (3)(4) (5) (6) (7)(8) (9)  
 (1):Series type:DIP DC POWER JACK.  
 (2):Series No.  
 (3):Schematic option: A , B  
 (4):Center pin diameter:  
 H=∅2.0 , I=∅2.35 , J=∅2.5  
 (5):Material of housing:  
 PB=PBT (Standard)  
 (6):Housing color:  
 BK=Black (Standard)  
 (7):Terminal plating  
 T=Tin(Sn)  
 (8):Special option:  
 0=No special opion  
 (9):Packing mode:  
 4=Bag packing

SPECIFICATION:

- Rating : DC 20V 2.5A;
- Contact resistance: ≤50mΩ;  
After test:≤100mΩ
- Insulation resistance: ≥100MΩ (DC500V);  
After test:≥50MΩ
- Withstand voltage: 500VAC ;
- Insertion and extraction force: 3-30N;
- life test: 5,000 cycles;
- Operation temperature range:-20°C~70°C;
- Preservative temperature range:-40°C~85°C;



Model No.	H	I	J
CENTER PIN	∅2.0	∅2.35	∅2.5

○: ITEM NO. □: TERMINAL NO.

⑥	Shunt terminal ③	Brass t=0.4	1	Tin Plating	TOLERANCE	ANGLES	UNITS	雅安科技有限公司 <b>ACCURATE INNOTECH INC.</b> TITLE: DIP DC POWER JACK PART NO.: DCB0-00160 DR: <i>Ricky</i> 2019/04/09 DWG NO.: AB0-00160 CHKD: <i>Ricky</i> 2019/04/09 APPD:
⑤	Tip spring ②	Stainless steel t=0.2	1	Tin Plating	±0.3	±2°	mm	
④	Center pin terminal ①	Brass t=0.4	1	Tin Plating			MAT'L	
③	Center pin	Brass	1	Nickel plating			SEE NOTE	
②	Cover	PBT	1	Black			FINISH	
①	Housing	PBT	1				SEE NOTE	
NO.	PARTS	MATERIAL	Q'TY	FINISHING			Q'TY	THESE DRAWINGS AND SPECIFICATIONS ARE THE PROPERTY OF ACCURATE INNOTECH INC AND SHALL NOT BE REPRODUCED, COPIED OR USED IN ANY MANNER WITHOUT THE PRIOR WRITTEN CONSENT OF ACCURATE INNOTECH INC.



SCALE	SHEET	REV.	CUSTOMER
1:1	1/1	A	DRAWING