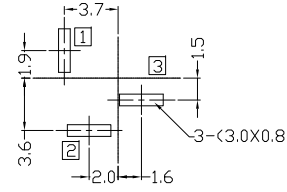
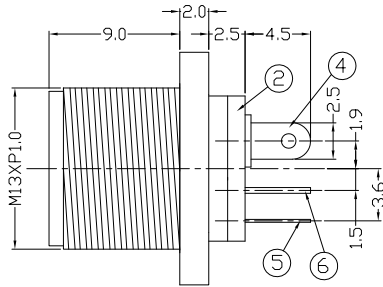
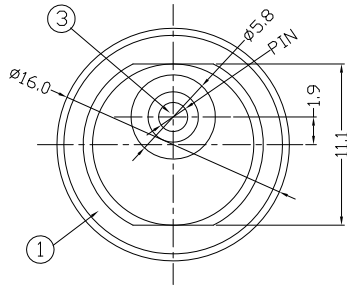




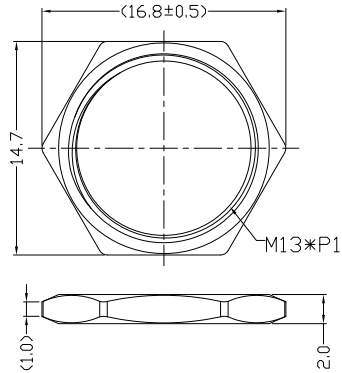
RoHS
Compliant
2002/95/EC

REV.	ECN.	NO.	APPD.

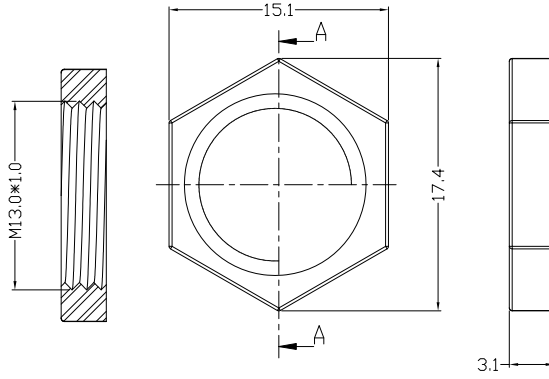
DIMENSIONS



RECOMMENDED P.C.B. LAYOUT
UNSPECIFIED TOLERANCE: ±0.05
(TOP VIEW)



Metal Nut



Plastic Nut

MODEL CODE:

DCB0-00210- A □ PB BK T 0 4

(1) (2) (3)(4) (5) (6) (7)(8) (9)

(1):Series type:DIP DC POWER JACK.

(2):Series No.

(3):Schematic option: A , B

(4):Center pin diameter:

H=∅2.0 , I=∅2.35 , J=∅2.5

(5):Material of housing:

PB=PBT (Standard)

(6):Housing color:

BK=Black (Standard)

(7):Terminal plating

T=Tin(Sn)

(8):Special option:

0=Nut need not been assembled onto audio jack

B=Nut need been assembled onto audio jack

D=Without Nut

(9):Packing mode:

4=Bag packing

SPECIFICATION:

1.Rating : DC 30V 1A;

2.Contact resistance: ≤50m Ω;

3.Insulation resistance: ≥100M Ω (DC250V);

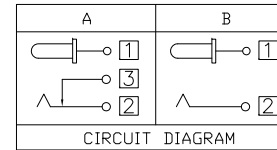
4.Withstand voltage: 500VAC ;

5.Insertion and extraction force: 3-30N;

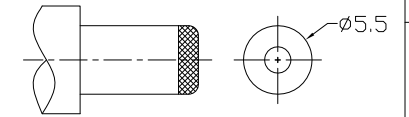
6.life test: 5,000 cycles;

7.Operation temperature range:-20°C~70°C;

8.Preservative temperature range:-25°C~85°C;



CIRCUIT DIAGRAM



DC MATE PLUG

Model No.	H	I	J
CENTER PIN	∅2.0	∅2.35	∅2.5

○: ITEM NO. □: TERMINAL NO.

NO.	PARTS	MATERIAL	Q'TY	FINISHING	TOLERANCE	ANGLES	UNITS	雅安科技有限公司 ACCURATE INNOTECH INC. TITLE: DIP DC POWER JACK PART NO.: DCB0-00210 DR: <i>Ricky</i> 2019/04/09 DWG NO.: AB0-00210 DWG NO.: AB0-00210 SCALE: 1:1 SHEET: 1/1 REV: A APPD: CUSTOMER DRAWING
⑥	Shunt terminal ③	Copper Alloy	1	Sn Plating	.X ±0.50	X ±5°	mm	
⑤	Tip spring ②	Stainless steel	1	Sn Plating	.XX ±0.30	.X ±3°	MAT'L	
④	Center pin terminal ①	Copper Alloy	1	Sn Plating	.XXX ±0.15	.XX ±2°	SEE NOTE	
③	Center pin ①	Copper Alloy	1	Ni Plating			FINISH	
②	Cover	PF	1				SEE NOTE	
①	Housing	Thermoplastic	1	Black			Q'TY	
							SEE NOTE	

THESE DRAWINGS AND SPECIFICATIONS ARE THE PROPERTY OF ACCURATE INNOTECH INC AND SHALL NOT BE REPRODUCED, COPIED OR USED IN ANY MANNER WITHOUT THE PRIOR WRITTEN CONSENT OF ACCURATE INNOTECH INC.

