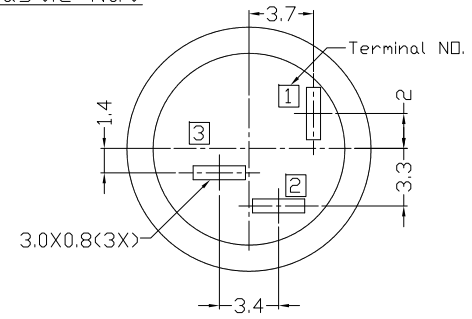
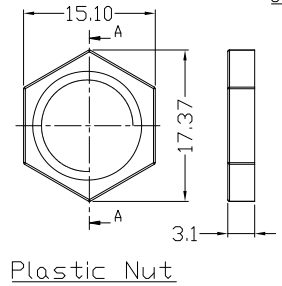
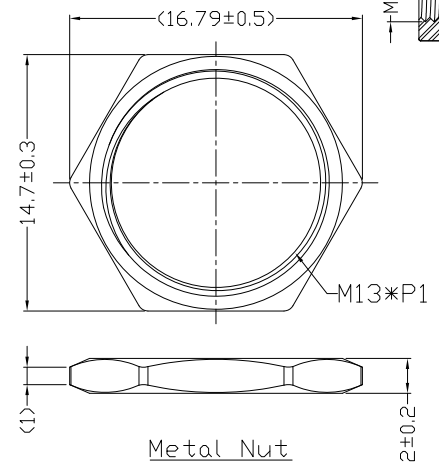
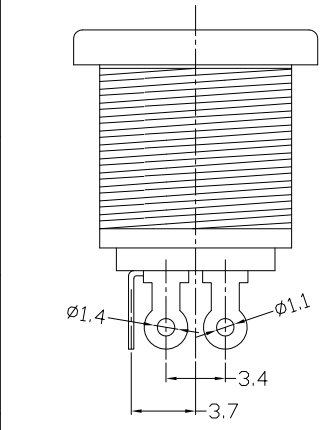
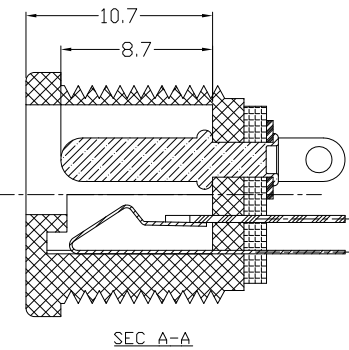
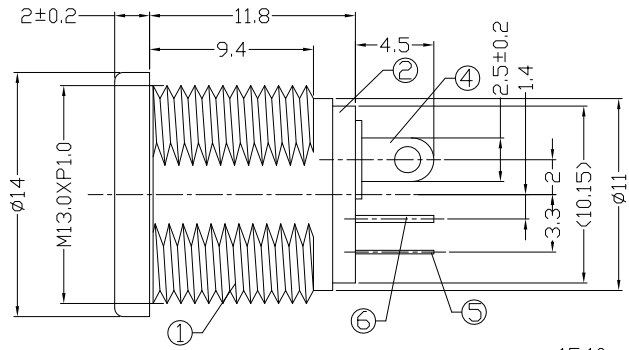
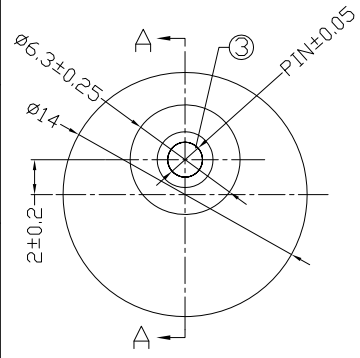




RoHS Compliant
2002/95/EC

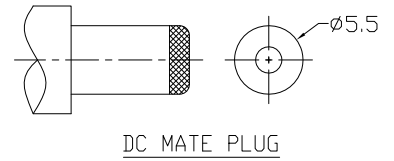
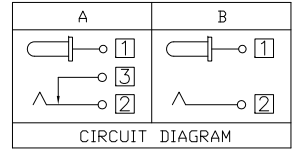
REV.	ECN. NO.	APPD.

DIMENSIONS



MODEL CODE:
 DCB0-00220- A □ PB BK T 0 4
 (1) (2) (3)(4) (5) (6) (7)(8) (9)
 (1):Series type:DIP DC POWER JACK.
 (2):Series No.
 (3):Schematic option: A , B
 (4):Center pin diameter:
 H=∅2.0 , I=∅2.35 , J=∅2.5
 (5):Material of housing:
 PB=PBT (Standard)
 (6):Housing color:
 BK=Black
 (7):Terminal plating
 T=Tin(Sn)
 (8):Special option:
 0=Mate metal nut
 1=Mate plastic nut
 B=Metal nut(nut need been assembled onto DC jack)
 (9):Packing mode:
 4=Bag packing

SPECIFICATION:
 1.Rating : DC 20V 2.5A;
 2.Contact resistance: ≤50mΩ;
 After test:≤100mΩ
 3.Insulation resistance: ≥100MΩ (DC500V);
 After test:≥50MΩ
 4.Withstand voltage: 500VAC ;
 5.Insertion and extraction force: 3-30N;
 6.life test: 5,000 cycles;
 7.Operation temperature range:-20°C~70°C;
 8.Preservative temperature range:-40°C~85°C;



Model No.	H	I	J
CENTER PIN	∅2.0	∅2.35	∅2.5

○: ITEM NO. □: TERMINAL NO.

NO.	PARTS	MATERIAL	Q'TY	FINISHING	TOLERANCE	ANGLES	UNITS
⑥	Shunt terminal ③	Brass t=0.3	1	Tin Plating	±0.3	±2'	mm
⑤	Tip spring ②	Stainless steel t0.25	1	Tin Plating	±0.3	±2'	mm
④	Center pin terminal ①	Brass t=0.3	1	Tin Plating	±0.3	±2'	mm
③	Center pin ①	Copper alloy	1	CuSn Plating	±0.3	±2'	mm
②	Cover	PF	1		±0.3	±2'	mm
①	Housing	PBT	1	Black	±0.3	±2'	mm
NO.	PARTS	MATERIAL	Q'TY	FINISHING			

THESE DRAWINGS AND SPECIFICATIONS ARE THE PROPERTY OF ACCURATE INNOTECH INC AND SHALL NOT BE REPRODUCED, COPIED OR USED IN ANY MANNER WITHOUT THE PRIOR WRITTEN CONSENT OF ACCURATE INNOTECH INC.

雅安科技有限公司
ACCURATE INNOTECH INC.

TITLE: DIP DC POWER JACK PART NO.: DCB0-00220

DR: *Ricky* 2019/04/10 DWG NO.: AB0-00220

CHKD: *Ricky* 2019/04/10

APPD: _____

SCALE	SHEET	REV.	CUSTOMER DRAWING
1:1	1/1	A	