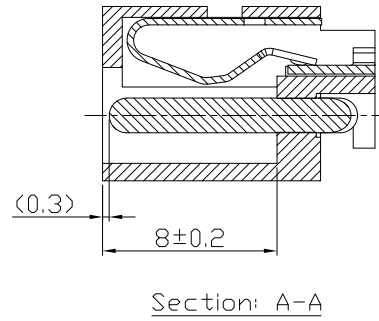
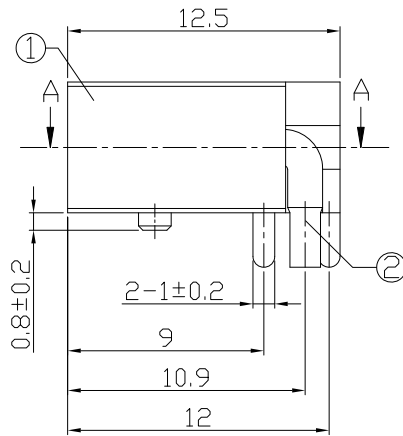
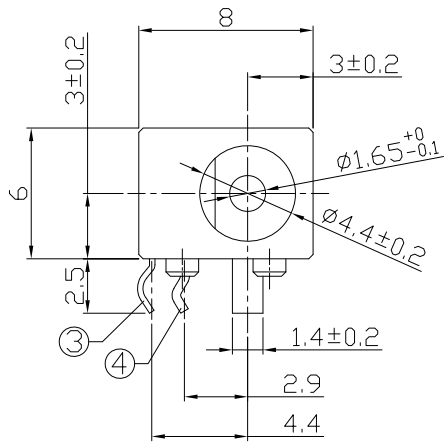




RoHS  
Compliant  
2002/95/EC

REV.	ECN. NO.	APPD.

DIMENSIONS



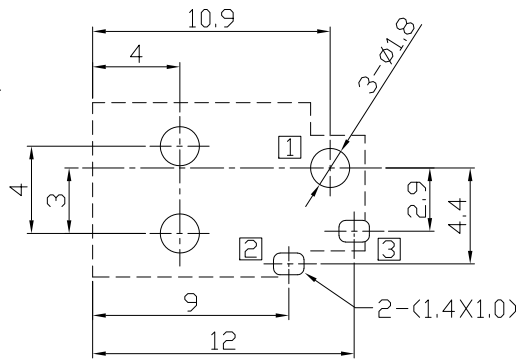
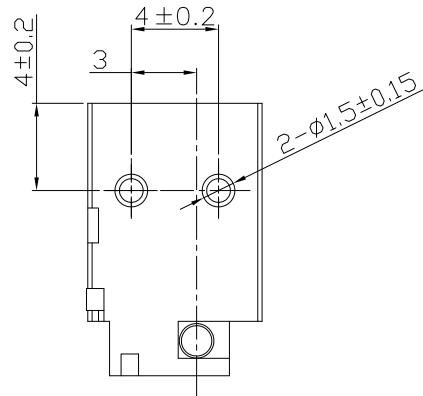
MODEL CODE:

DCB0-00230- A G PB BK S 0 4

- (1):Series type:DIP DC POWER JACK.
- (2):Series No.
- (3):Schematic option: A
- (4):Center pin diameter:  
G=Ø1.65
- (5):Material of housing:  
PB=PBT
- (6):Housing color:  
BK=Black , 4D=Yellow(0417)
- (7):Terminal plating  
S=Silver(Ag)
- (8):Special option:  
0=No special option
- (9):Packing mode:  
4=Bag packing

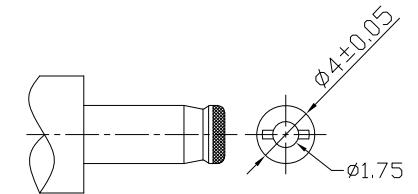
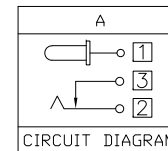
SPECIFICATION:

- 1.Rating : DC 20V 3A;
- 2.Contact resistance: ≤30mΩ;  
After test:≤50mΩ
- 3.Insulation resistance: ≥100MΩ (DC500V);  
After test:≥50MΩ
- 4.Withstand voltage: 500VAC ;
- 5.Insertion and extraction force: 3-30N;
- 6.life test: 5,000 cycles;
- 7.Operation temperature range:-20°C~70°C;
- 8.Preservative temperature range:-40°C~85°C;



RECOMMENDED P.C.B. LAYOUT  
UNSPECIFIED TOLERANCE:±0.05  
(BOTTOM VIEW)

○: ITEM NO. □: TERMINAL NO.



DC MATE PLUG

NO.	PARTS	MATERIAL	Q'TY	FINISHING	TOLERANCE	ANGLES	UNITS mm	雅安科技有限公司 ACCURATE INNOTECH INC.					
④	Shunt terminal ③	Brass t=0.4	1	Silver plating	±0.3	±2°	MAT'L	TITLE: DIP DC POWER JACK		PART NO.: DCB0-00230			
③	Tip spring ②	Phosphor bronze t=0.3	1	Silver plating			SEE NOTE	DR: Ricky 2019/04/10		DWG NO.: AB0-00230			
②	Center pin ①	Copper alloy	1	Silver plating			SEE NOTE	CHKD: Ricky 2019/04/10		SCALE SHEET REV. CUSTOMER			
①	Housing	PBT UL94V-0	1				Q'TY	APPD:		1:1	1/1	A	DRAWING
<small>THESE DRAWINGS AND SPECIFICATIONS ARE THE PROPERTY OF ACCURATE INNOTECH INC AND SHALL NOT BE REPRODUCED, COPIED OR USED IN ANY MANNER WITHOUT THE PRIOR WRITTEN CONSENT OF ACCURATE INNOTECH INC.</small>													