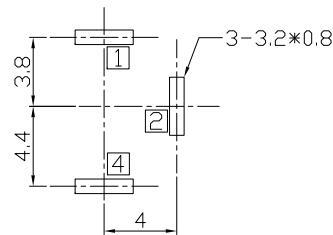
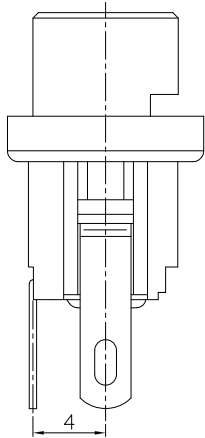
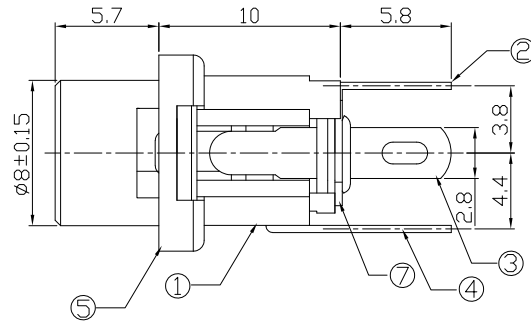
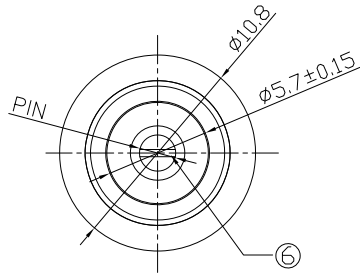




RoHS
Compliant
2002/95/EC

REV.	ECN. NO.	APPD.

DIMENSIONS



P.C.B Layout
(Copper-sided view)

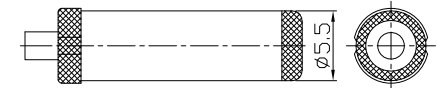
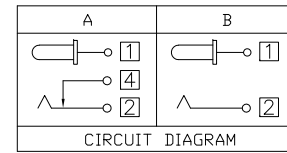
MODEL CODE:

DCB0-00250- A □ PB BK C 0 4

- (1) Series type: DIP DC POWER JACK.
- (2) Series No.
- (3) Schematic option: A, B
- (4) Center pin diameter:
H=φ2.0, I=φ2.35, J=φ2.5
- (5) Material of housing:
PB=PBT (Only)
- (6) Housing color:
BK=Black (Only)
- (7) Terminal plating
S=Silver(Ag)
T=Tin(Sn)
C=copper&tin alloy plating (Standard)
- (8) Special option:
0=No special option
- (9) Packing mode:
4=Bag packing

SPECIFICATION:

- 1. Rating : DC 30V 3A;
- 2. Contact resistance: ≤30mΩ;
- 3. Insulation resistance: ≥100MΩ (DC250V);
- 4. Withstand voltage: 500VAC ;
- 5. Insertion and extraction force: 3-30N;
- 6. Life test: 5,000 cycles;
- 7. Operation temperature range: -20°C~70°C;
- 8. Preservative temperature range: -40°C~85°C;



DC MATE PLUG

Model No.	H	I	J
CENTER PIN	φ2.0	φ2.35	φ2.5

○: ITEM NO. □: TERMINAL NO.

NO.	PARTS	MATERIAL	Q'TY	FINISHING	TOLERANCE	ANGLES	UNITS mm	雅安科技有限公司 ACCURATE INNOTECH INC.			
7	Washer	Bakelite	2		±0.3	±2°	MAT'L	TITLE: DIP DC POWER JACK		PART NO.: DCB0-00250	
6	Pin	Bronze	1	Ni-plating			SEE NOTE	DR: Ricky 2019/04/10		DWG NO.: AB0-00250	
5	Bushing	Brass	1	Ni-plating			FINISH	CHKD: Ricky 2019/04/10		SCALE: 1:1	
4	Shunt Terminal	Brass	1	Cu-Sn-Plating			SEE NOTE	APPD:		SHEET: 1/1	REV: A
3	Tip Spring	Phosphor bronze	1	Cu-Sn-Plating			Q'TY	APPD:		CUSTOMER DRAWING	
2	Center pin terminal	Brass	1	Cu-Sn-Plating				THESE DRAWINGS AND SPECIFICATIONS ARE THE PROPERTY OF ACCURATE INNOTECH INC AND SHALL NOT BE REPRODUCED, COPIED OR USED IN ANY MANNER WITHOUT THE PRIOR WRITTEN CONSENT OF ACCURATE INNOTECH INC.			
1	Housing	PBT	1	Black							