



RoHS  
Compliant  
2002/95/EC

REV.	ECN. NO.	APPD.

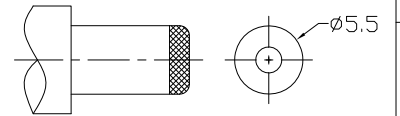
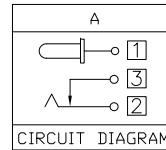
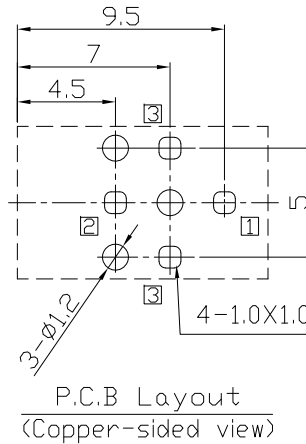
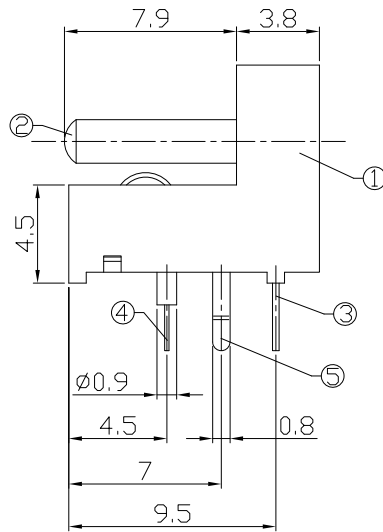
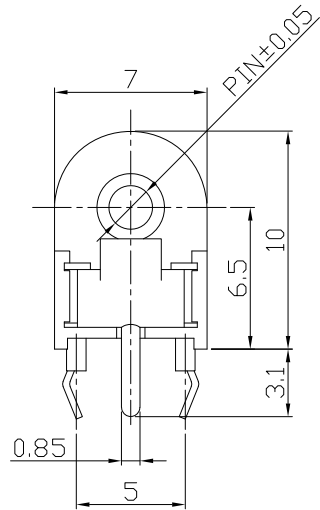
DIMENSIONS

MODEL CODE:

DCB0-00270- A □ 66 BK S 0 4  
 (1) (2) (3)(4) (5) (6) (7)(8) (9)  
 (1):Series type:DIP DC POWER JACK.  
 (2):Series No.  
 (3):Schematic option: A  
 (4):Center pin diameter:  
 H=∅2.0 , J=∅2.5  
 (5):Material of housing:  
 66=PA66  
 (6):Housing color:  
 BK=Black  
 (7):Terminal plating  
 S=Silver(Ag)  
 (8):Special option:  
 0=No special opion  
 (9):Packing mode:  
 4=Bag packing

SPECIFICATION:

- 1.Rating : DC 20V 2A;
- 2.Contact resistance: ≤30mΩ;
- 3.Insulation resistance: ≥100MΩ (DC500V);
- 4.Withstand voltage: 500VAC ;
- 5.Insertion and extraction force: 3-30N;
- 6.life test: 5,000 cycles;
- 7.Operation temperature range:-20°C~70°C;
- 8.Preservative temperature range:-40°C~85°C;



Model No.	H	J
CENTER PIN	∅2.0	∅2.5

○: ITEM NO. □: TERMINAL NO.

NO.	PARTS	MATERIAL	Q'TY	FINISHING	TOLERANCE	ANGLES	UNITS
5	Shunt terminal 3	Brass t=0.3	1	Silver plating	±0.3	±2'	mm
4	Tip spring 2	Phosphor bronze t=0.25	1	Silver plating			MAT'L
3	Center pin terminal 1	Brass t=0.3	1	Silver plating			SEE NOTE
2	Center pin 1	Brass	1	Nickel plating			FINISH
1	Housing	PA66+15%GF	1	Black			SEE NOTE
					THESE DRAWINGS AND SPECIFICATIONS ARE THE PROPERTY OF ACCURATE INNOTECH INC AND SHALL NOT BE REPRODUCED, COPIED OR USED IN ANY MANNER WITHOUT THE PRIOR WRITTEN CONSENT OF ACCURATE INNOTECH INC.		
							Q'TY

雅安科技有限公司 ACCURATE INNOTECH INC.			
TITLE: DIP DC POWER JACK		PART NO.: DCB0-00270	
DR: <i>Ricky</i> 2019/04/11		DWG NO.: AB0-00270	
CHKD: <i>Ricky</i> 2019/04/11		SCALE	SHEET
APPD:		1:1	1/1
		REV.	CUSTOMER DRAWING
		A	