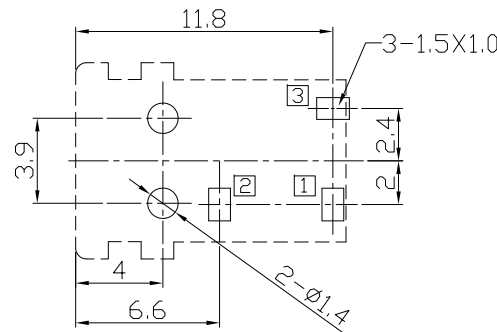
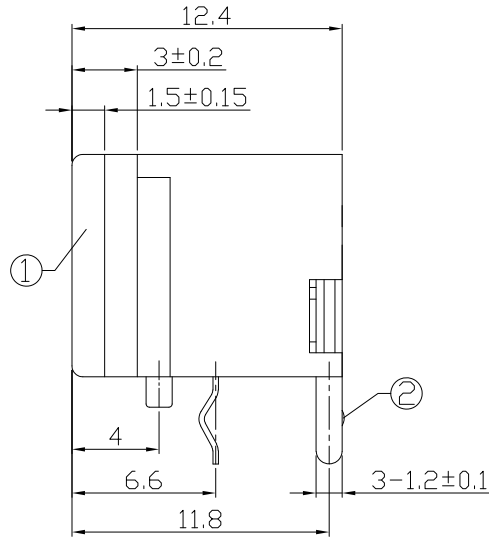
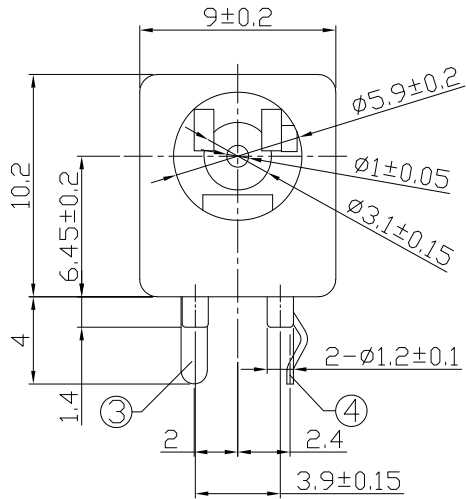




RoHS
Compliant
2002/95/EC

REV.	ECN. NO.	APPD.

DIMENSIONS



RECOMMENDED P.C.B. LAYOUT
UNSPECIFIED TOLERANCE:±0.05
(COPPER-SIDED VIEW)

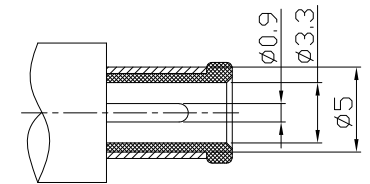
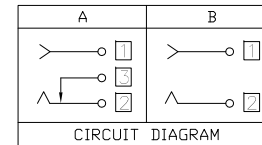
MODEL CODE:

DCB0-00290- A C 66 BK S 0 4

- (1):Series type:DIP DC POWER JACK.
- (2):Series No.
- (3):Schematic option: A , B
- (4):Center pin diameter:
C=∅1.0
- (5):Material of housing:
66=PA66 PB=PBT
- (6):Housing color:
BK=Black (PA66)
9A=White (0100)(PBT)
- (7):Terminal plating
S=Silver(Ag)
- (8):Special option:
0=No special option
- (9):Packing mode:
4=Bag packing

SPECIFICATION:

- 1.Rating : DC 20V 4A;
- 2.Contact resistance: ≤30mΩ;
After test:≤50mΩ
- 3.Insulation resistance: ≥100MΩ (DC500V);
After test:≥50MΩ
- 4.Withstand voltage: 500VAC ;
- 5.Insertion and extraction force: 3-30N;
- 6.life test: 5,000 cycles;
- 7.Operation temperature range:-20°C~70°C;
- 8.Preservative temperature range:-40°C~85°C;



DC MATE PLUG

○: ITEM NO. □: TERMINAL NO.

NO.	PARTS	MATERIAL	Q'TY	FINISHING	TOLERANCE	ANGLES	UNITS mm	雅安科技有限公司 ACCURATE INNOTECH INC.			
④	Shunt terminal ③	Brass t=0.3	1	Silver plating	±0.3	±2°	MAT'L SEE NOTE	TITLE: DIP DC POWER JACK		PART NO.: DCB0-00290	
③	Tip spring ②	Phosphor bronze t=0.3	1	Silver plating			FINISH SEE NOTE	DR: <i>Ricky</i> 2019/04/11		DWG NO.: AB0-00290	
②	Center pin ①	Phosphor bronze t=0.25	1	Silver plating			Q'TY	CHKD: <i>Ricky</i> 2019/04/11		SCALE SHEET REV. CUSTOMER 1:1 1/1 A DRAWING	
①	Housing	PA66 UL94V-0	1	Black				APPD:			

THESE DRAWINGS AND SPECIFICATIONS ARE THE PROPERTY OF ACCURATE INNOTECH INC AND SHALL NOT BE REPRODUCED, COPIED OR USED IN ANY MANNER WITHOUT THE PRIOR WRITTEN CONSENT OF ACCURATE INNOTECH INC.