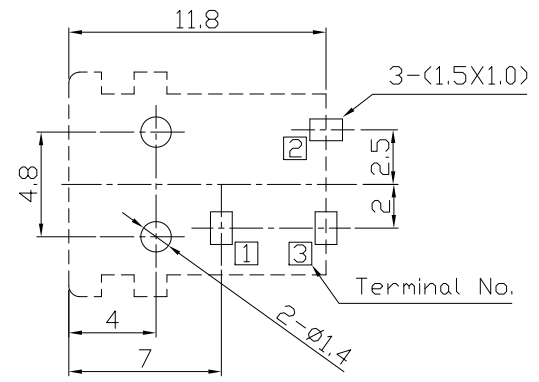
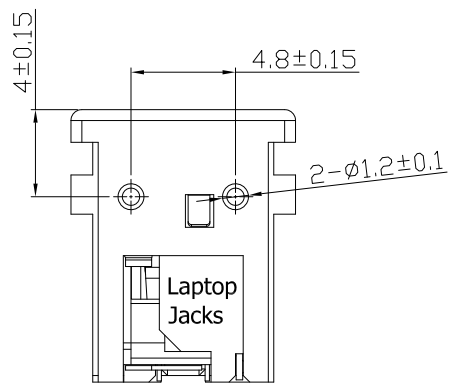
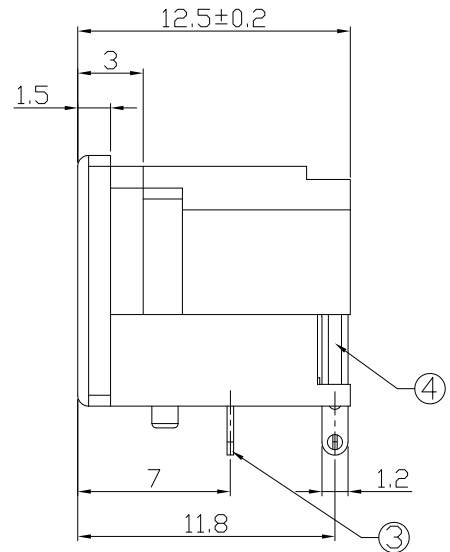
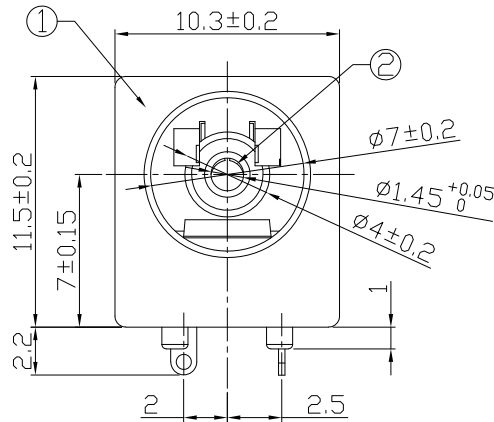




RoHS Compliant
2002/95/EC

REV.	ECN. NO.	APPD.

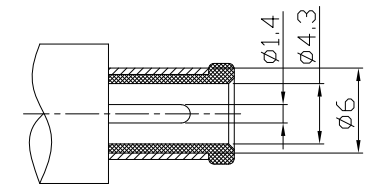
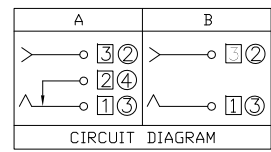
DIMENSIONS



Recommended PCB Layout
Tolerance±0.05
(Printed-sided View)

MODEL CODE:
DCB0-0029A- A F 66 BK S 0 4
(1) (2) (3)(4)(5) (6) (7)(8) (9)
(1):Series type:DIP DC POWER JACK.
(2):Series No.
(3):Schematic option: A , B
(4):Center pin diameter:
F=φ1.45
(5):Material of housing:
PB=PBT 66=PA66
(6):Housing color:
BK=Black (Standard)
(7):Terminal plating
S=Silver(Ag)
(8):Special option:
0=No special option
(9):Packing mode:
4=Bag packing

SPECIFICATION:
1.Rating : DC 20V 2.5A;
2.Contact resistance: ≤30mΩ;
After test:≤50mΩ
3.Insulation resistance: ≥100MΩ (DC500V);
After test:≥50MΩ
4.Withstand voltage: 500VAC ;
5.Insertion and extraction force: 3-30N;
6.life test: 5,000 cycles;
7.Operation temperature range:-20°C~70°C;
8.Preservative temperature range:-40°C~85°C;



○: ITEM NO. □: TERMINAL NO.

NO.	PARTS	MATERIAL	Q'TY	FINISHING	TOLERANCE	ANGLES	UNITS	雅安科技有限公司 ACCURATE INNOTECH INC.			
④	Shunt terminal	Brass t=0.3	1	Silver plating	±0.3	±2°	mm	TITLE: DIP DC POWER JACK		PART NO.: DCB0-0029A	
③	Tip spring	Phosphor bronze t=0.3	1	Silver plating				DR: Ricky 2019/04/11		DWG NO.: AB0-0029A	
②	Center Terminal	Phosphor bronze t=0.2	1	Silver plating				CHKD: Ricky 2019/04/11		SCALE SHEET REV. CUSTOMER	
①	Housing	PBT/PA66	1	Black				APPD:		DRAWING	
								1:1		1/1 A	

THESE DRAWINGS AND SPECIFICATIONS ARE THE PROPERTY OF ACCURATE INNOTECH INC AND SHALL NOT BE REPRODUCED, COPIED OR USED IN ANY MANNER WITHOUT THE PRIOR WRITTEN CONSENT OF ACCURATE INNOTECH INC.