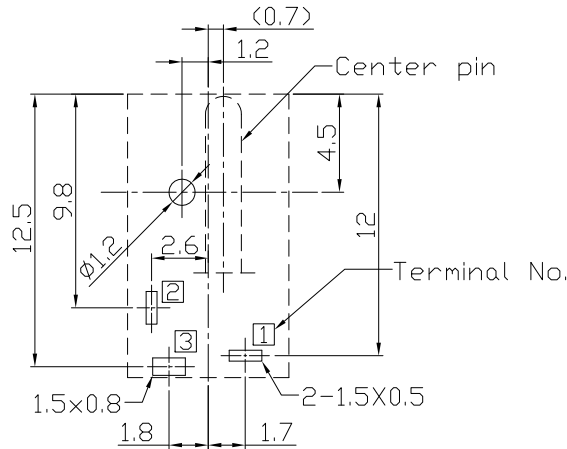
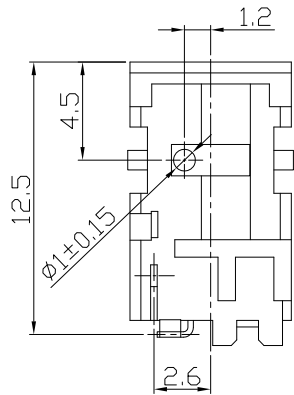
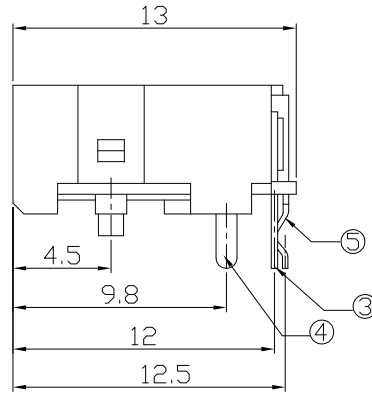
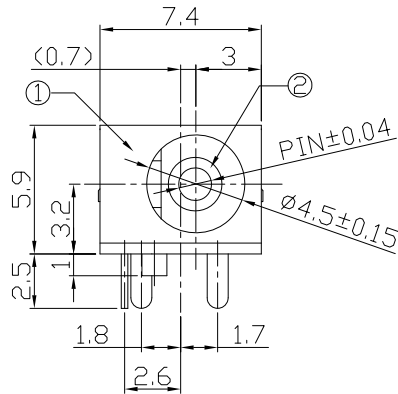




RoHS  
Compliant  
2002/95/EC

REV.	ECN.	NO.	APPD.

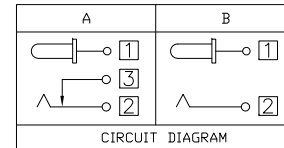
DIMENSIONS



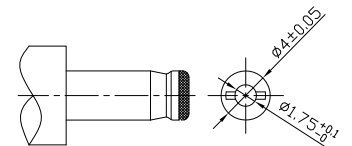
P.C.B Layout  
(Copper-sided view)

MODEL CODE:  
DCB0-0030A- A G PB BK S 0 3  
 (1) (2) (3)(4) (5) (6) (7)(8) (9)  
 (1):Series type:DIP DC POWER JACK.  
 (2):Series No.  
 (3):Schematic option: A , B  
 (4):Center pin diameter:  
 G=Ø1.65  
 (5):Material of housing:  
 PB=PBT  
 (6):Housing color:  
 BK=Black (Standard)  
 (7):Terminal plating  
 S=Silver(Ag) (Standard)  
 (8):Special option:  
 0=No special opion  
 (9):Packing mode:  
 3=Plastic box packing

SPECIFICATION:  
 1.Rating : DC 20V 3A;  
 2.Contact resistance: ≤30mΩ;  
 3.Insulation resistance: ≥100MΩ (DC250V);  
 4.Withstand voltage: 500VAC ;  
 5.Insertion and extraction force: 3-30N;  
 6.life test: 5,000 cycles;  
 7.Operation temperature range:-20°C~70°C;  
 8.Preservative temperature range:-40°C~85°C;



Model No.	G
CENTER PIN	Ø1.65



DC MATE PLUG

○: ITEM NO. □: TERMINAL NO.

NO.	PARTS	MATERIAL	Q'TY	FINISHING	TOLERANCE	ANGLES	UNITS mm	雅安科技有限公司 ACCURATE INNOTECH INC.					
⑤	Shunt terminal	Brass t=0.25	1	Silver plating	±0.3	±2°	MAT'L	TITLE: DIP DC POWER JACK		PART NO.: DCB0-0030A			
④	Tip spring	Phosphor bronze t=0.3	1	Silver plating			SEE NOTE	DR: Ricky 2019/04/11		DWG NO.: AB0-0030A			
③	Center pin terminal	Brass t=0.3	1	Silver plating			FINISH	CHKD: Ricky 2019/04/11					
②	Center pin	Brass	1	Nickel plating			SEE NOTE	APPD:		SCALE	SHEET	REV.	CUSTOMER
①	Housing	PBT/PA46	1				Q'TY			1:1	1/1	A	DRAWING
								THESE DRAWINGS AND SPECIFICATIONS ARE THE PROPERTY OF ACCURATE INNOTECH INC AND SHALL NOT BE REPRODUCED, COPIED OR USED IN ANY MANNER WITHOUT THE PRIOR WRITTEN CONSENT OF ACCURATE INNOTECH INC.					