



RoHS
Compliant
2002/95/EC

Halogen Free

REV.	ECN. NO.	APPD.

MODEL CODE:

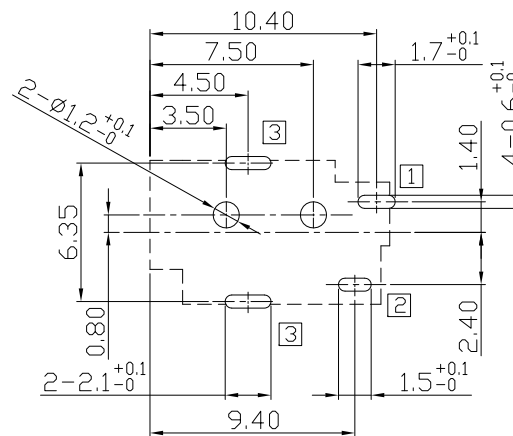
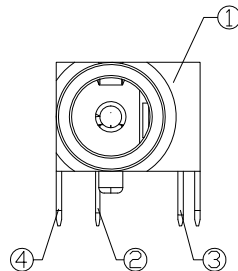
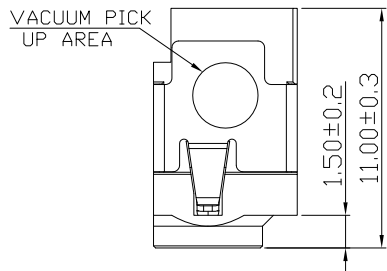
DCB0-0031L- G □ 10 BK N H 4

- (1):Series type:DIP DC POWER JACK.
 (2):Series No.
 (3):Schematic option: G
 (4):Center pin diameter:
 C=∅1.0 , E=∅1.3
 (5):Material of housing:
 10=PA10T
 (6):Housing color:
 BK=Black (Standard)
 (7):Terminal plating
 N=Nickel(Ni 40u"Min)
 (8):Special option:
 H=No halogen
 (9):Packing mode:
 1=Tape&Reel packing
 4=Bag packing

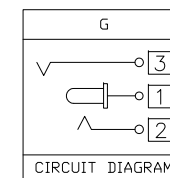
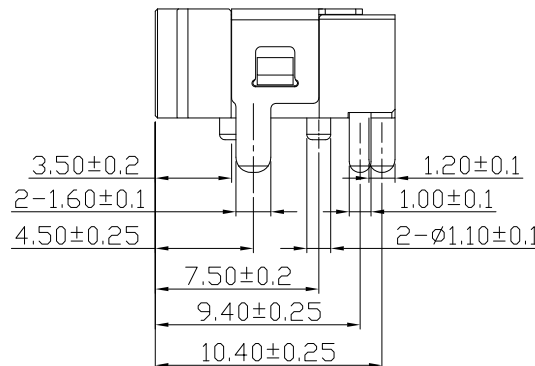
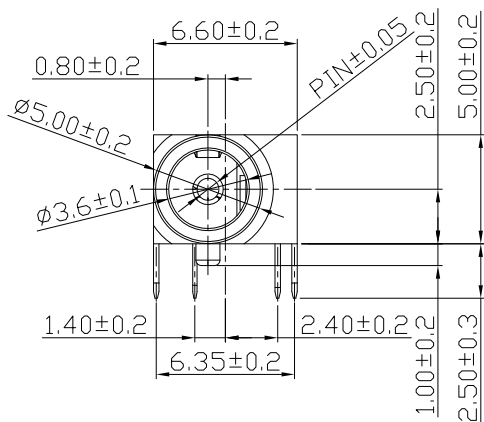
SPECIFICATION:

- Rating : DC 30V 2A;
- Contact resistance: $\leq 30m\Omega$;
After test: $\leq 50m\Omega$
- Insulation resistance: $\geq 100M\Omega$ (DC500V);
After test: $\geq 50M\Omega$
- Withstand voltage: 500VAC ;
- Insertion and extraction force: 3-30N;
- life test: 5,000 cycles;
- Operation temperature range:-20°C~70°C;
- Preservative temperature range:-40°C~85°C;

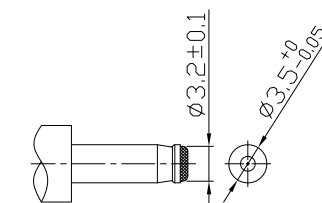
DIMENSIONS



PCB HOLES(TOP VIEW) t=1.6mm
 NOTE:GENERAL TOLERANCE:±0.05mm



Model No.	C	E
CENTER PIN	∅1.0	∅1.3



DC MATE PLUG

○: ITEM NO. □: TERMINAL NO.

NO.	PARTS	MATERIAL	Q'TY	FINISHING	TOLERANCE	ANGLES	UNITS	雅安科技有限公司 ACCURATE INNOTECH INC.			
④	Tip spring II	Copper Alloy t=0.25	1	Ni plating	.X ±0.38	X ±5°	mm	TITLE: DIP DC POWER JACK		PART NO.: DCB0-0031L	
③	Tip spring I	Copper Alloy t=0.25	1	Ni plating	.XX ±0.30	.X ±3°	SEE NOTE	DR: Ricky 2019/04/12		DWG NO.: AB0-0031L	
②	Center pin	Copper Alloy t=0.20	1	Ni plating	.XXX ±0.15	.XX ±2°	FINISH	CHKD: Ricky 2019/04/12		SCALE SHEET REV. CUSTOMER	
①	Housing	Hi-Tem. Thermoplastic	1	Black HF	THESE DRAWINGS AND SPECIFICATIONS ARE THE PROPERTY OF ACCURATE INNOTECH INC AND SHALL NOT BE REPRODUCED, COPIED OR USED IN ANY MANNER WITHOUT THE PRIOR WRITTEN CONSENT OF ACCURATE INNOTECH INC.		Q'TY	APPD:		1:1 1/1 A CUSTOMER DRAWING	