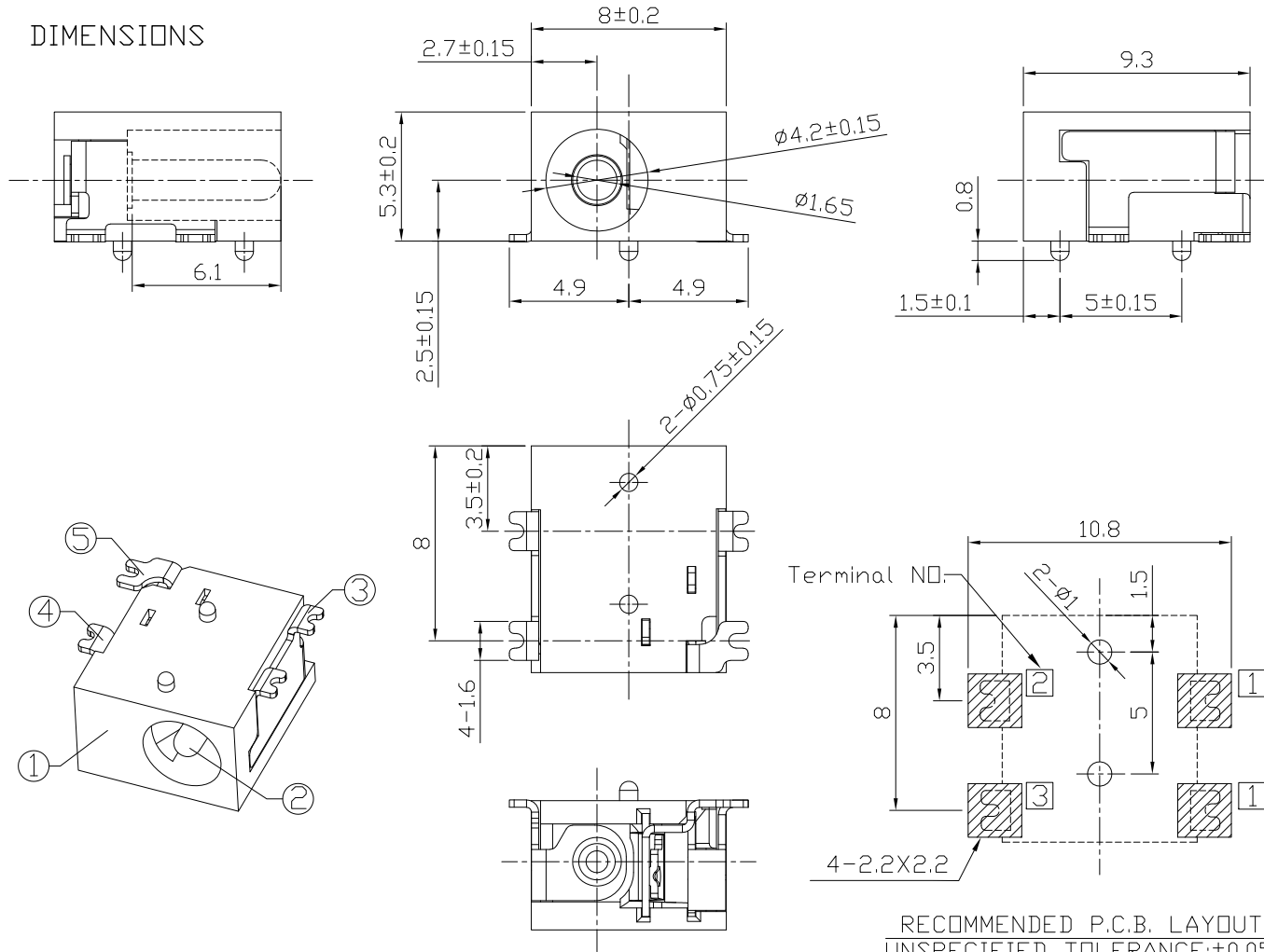




RoHS  
Compliant  
2002/95/EC

REV.	ECN. NO.	APPD.

DIMENSIONS



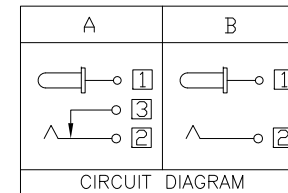
MODEL CODE:

DCB0-0033A- A G 10 BK S H 1

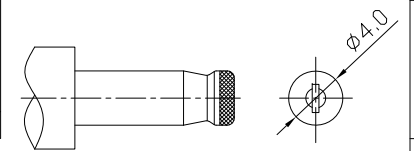
- (1) (2) (3)(4)(5) (6) (7)(8) (9)  
 (1):Series type:SMD DC POWER JACK.  
 (2):Series No.  
 (3):Schematic option: A,B  
 (4):Center pin diameter:  
 G=∅1.65  
 (5):Material of housing:  
 10=PA10T(Standard)  
 (6):Housing color:  
 BK=Black  
 (7):Terminal plating:  
 S=Silver(Ag)  
 (8):Special option:  
 0=No special option  
 H=Halogen Free  
 (9):Packing mode:  
 1=Reel packing

SPECIFICATION

- Rating : DC 18V 5A;
- Contact resistance: ≤30mΩ;  
After test: ≤50mΩ;
- Insulation resistance: ≥100MΩ (DC500V);  
After test: ≥50MΩ
- Withstand voltage: 500VAC ;
- Insertion and extraction force: 3-30N;
- Life test: 5,000 cycles;
- Operation temperature range:-20°C~70°C;
- Preservative temperature range:-40°C~85°C;



Model No.	G
CENTER PIN	∅1.65



DC MATE PLUG

RECOMMENDED P.C.B. LAYOUT  
 UNSPECIFIED TOLERANCE:±0.05  
 (Copper-sided VIEW)

○: ITEM NO. □: TERMINAL NO.

NO.	PARTS	MATERIAL	Q'TY	FINISHING	TOLERANCE	ANGLES	UNITS
⑤	Shunt terminal ③	Brass,0.3t	1	Silver plating	±0.3	±2'	mm
④	Tip spring ②	Phosphor bronze,0.3t	1	Silver plating			MAT'L
③	Center pin terminal ①	Brass,0.3t	1	Silver plating			SEE NOTE
②	Center pin ①	Brass	1	CuSn/Ni plating			FINISH
①	Housing	PA10T UL94V-0	1	Black,HF			SEE NOTE
					<small>THESE DRAWINGS AND SPECIFICATIONS ARE THE PROPERTY OF ACCURATE INNOTECH INC AND SHALL NOT BE REPRODUCED, COPIED OR USED IN ANY MANNER WITHOUT THE PRIOR WRITTEN CONSENT OF ACCURATE INNOTECH INC.</small>		Q'TY

雅安科技有限公司 ACCURATE INNOTECH INC.			
TITLE: SMD DC POWER JACK		PART NO.: DCB0-0033A	
DR: Ricky 2018/06/15		DWG NO.: AB0-0033A	
CHKD: Ricky 2018/06/15		SCALE	SHEET
APPD:		1:1	1/1
		REV.	CUSTOMER DRAWING
		A	