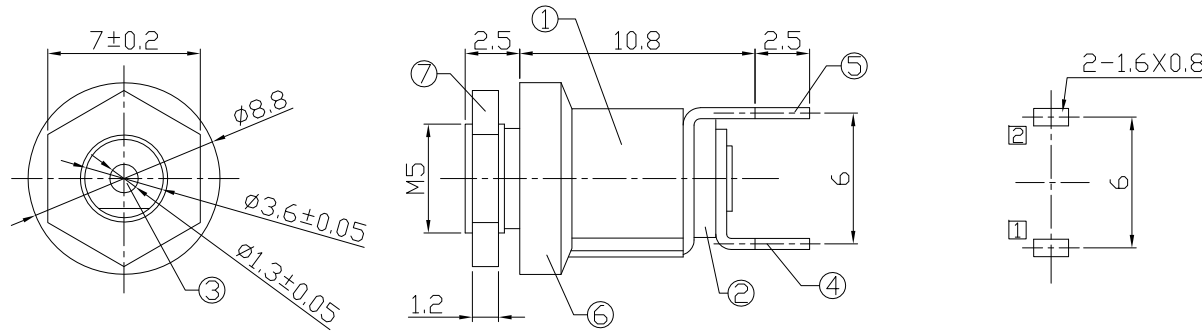




RoHS
Compliant
2002/95/EC

REV.	ECN.	NO.	APPD.

DIMENSIONS



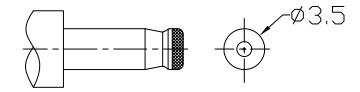
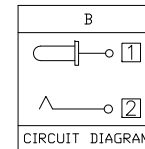
MODEL CODE:

DCB0-00351- B E PC BK S 0 4

- (1) (2) (3)(4) (5) (6) (7)(8) (9)
- (1):Series type:DIP DC POWER JACK.
- (2):Series No.
- (3):Schematic option: B
- (4):Center pin diameter:
E=φ1.3
- (5):Material of housing:
PC=PC
- (6):Housing color:
BK=Black
- (7):Terminal plating
S=Silver(Ag)
- (8):Special option:
0=No special option
- (9):Packing mode:
4=Bag packing

SPECIFICATION:

- 1.Rating : DC 16V 2A;
- 2.Contact resistance: ≤30mΩ;
- 3.Insulation resistance: ≥100MΩ (DC500V);
- 4.Withstand voltage: 500VAC ;
- 5.Insertion and extraction force: 3-30N;
- 6.life test: 5,000 cycles;
- 7.Operation temperature range:-20°C~70°C;
- 8.Preservative temperature range:-40°C~85°C;



○: ITEM NO. □: TERMINAL NO.

7	Nut	Brass	1	Nickel plating
6	Bushing	Brass	1	Nickel plating
5	Tip spring □	Brass t=0.5	1	Silver plating
4	Center pin terminal □	Brass t=0.5	1	Silver plating
3	Center pin □	Brass	1	Copper tin/Nickel plating
2	Cover	PF	1	
1	Housing	PC	1	
NO.	PARTS	MATERIAL	Q'TY	FINISHING

TOLERANCE	ANGLES	UNITS
±0.3	±2°	mm
MATERIAL		
SEE NOTE		
FINISH		
SEE NOTE		
Q'TY		
SEE NOTE		

雅安科技有限公司 ACCURATE INNOTECH INC.			
TITLE: DIP DC POWER JACK		PART NO.: DCB0-00351	
DR: Ricky 2019/04/12		DWG NO.: AB0-00351	
CHKD: Ricky 2019/04/12		SCALE	SHEET
APPD:		1:1	1/1
		REV.	CUSTOMER DRAWING
		A	

THESE DRAWINGS AND SPECIFICATIONS ARE THE PROPERTY OF ACCURATE INNOTECH INC AND SHALL NOT BE REPRODUCED, COPIED OR USED IN ANY MANNER WITHOUT THE PRIOR WRITTEN CONSENT OF ACCURATE INNOTECH INC.