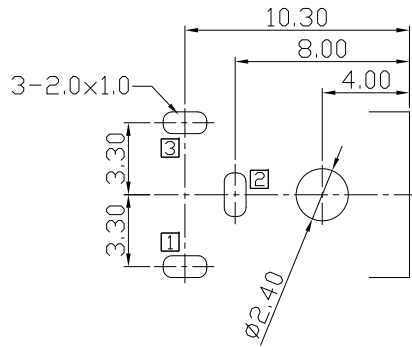
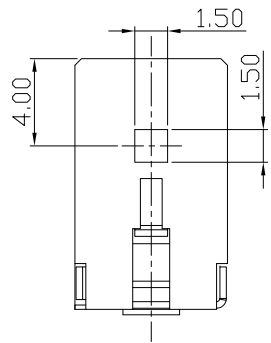
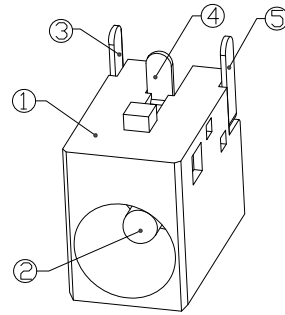
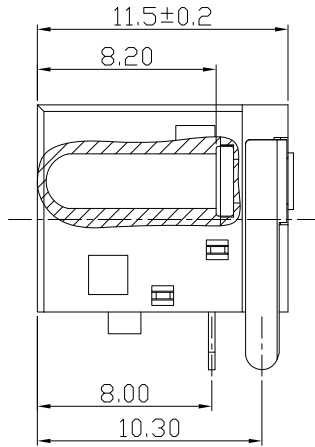
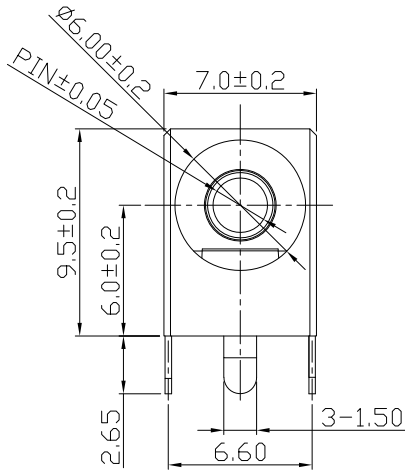




RoHS  
Compliant  
2002/95/EC

REV.	ECN.	NO.	APPD.

DIMENSIONS



RECOMMENDED P.C.B. LAYOUT  
UNSPECIFIED TOLERANCE:±0.05  
(TOP VIEW)

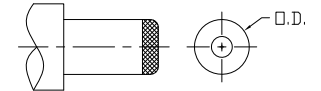
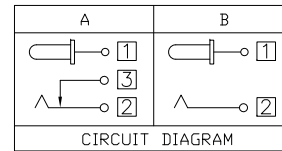
MODEL CODE:

DCB0-00360- A □ PB BK S 0 4

- (1):Series type:DIP DC POWER JACK.
- (2):Series No.
- (3):Schematic option: A , B
- (4):Center pin diameter:  
G=Ø1.65 , H=Ø2.0 , I=Ø2.35 , J=Ø2.5
- (5):Material of housing:  
PB=PBT (Standard)
- (6):Housing color:  
BK=Black  
8A=Gray(0144)  
4K=Yellow(XH1221)=PBT4815
- (7):Terminal plating  
S=Silver(Ag)
- (8):Special option:  
0=No special option
- (9):Packing mode:  
4=Bag packing

SPECIFICATION:

- 1.Rating : DC 20V 3A;
- 2.Contact resistance: ≤50mΩ;  
After test:≤100mΩ
- 3.Insulation resistance: ≥100MΩ (DC500V);  
After test:≥50MΩ
- 4.Withstand voltage: 500VAC ;
- 5.Insertion and extraction force: 3-30N;
- 6.life test: 5,000 cycles;
- 7.Operation temperature range:-20°C~70°C;
- 8.Preservative temperature range:-40°C~85°C;



DC MATE PLUG

Model No.	G	H	I	J
CENTER PIN	Ø1.65	Ø2.0	Ø2.35	Ø2.5
DC MATE PLUG	Ø4.75	Ø5.5	Ø5.5	Ø5.5

○: ITEM NO. □: TERMINAL NO.

NO.	PARTS	MATERIAL	Q'TY	FINISHING	TOLERANCE	ANGLES	UNITS	雅安科技有限公司 ACCURATE INNOTECH INC.				
⑤	Shunt terminal ③	Brass	1	Ag Plating	.X ±0.50	X ±5°	mm	雅安科技有限公司 ACCURATE INNOTECH INC. TITLE: DIP DC POWER JACK PART NO.: DCB0-00360 DR: Ricky 2019/04/12 DWG NO.: AB0-00360 CHKD: Ricky 2019/04/12 APPD:				
④	Tip spring ②	SUS301-1/2H	1	Ag Plating	.XX ±0.30	.X ±3°	MAT'L					
③	Center pin terminal ①	Brass	1	Ag Plating	.XXX ±0.15	.XX ±2°	SEE NOTE					
②	Center pin	H65	1	Ni plating			FINISH					
①	Housing	PBT4815 UL94V-0	1	See P/N ordering info			SEE NOTE					
					THESE DRAWINGS AND SPECIFICATIONS ARE THE PROPERTY OF ACCURATE INNOTECH INC AND SHALL NOT BE REPRODUCED, COPIED OR USED IN ANY MANNER WITHOUT THE PRIOR WRITTEN CONSENT OF ACCURATE INNOTECH INC.			Q'TY	SCALE	SHEET	REV.	CUSTOMER DRAWING
								1:1	1/1	A		