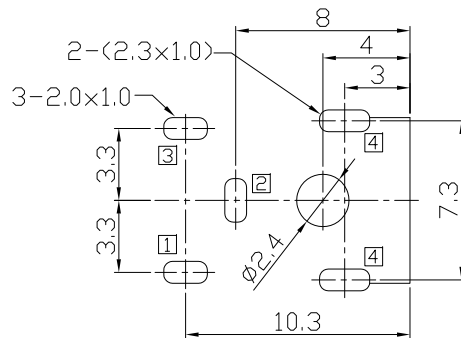
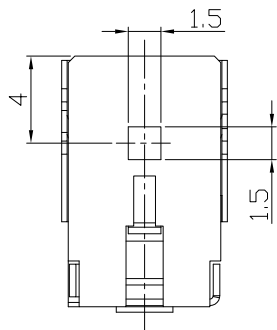
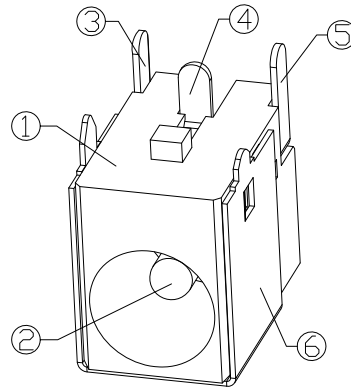
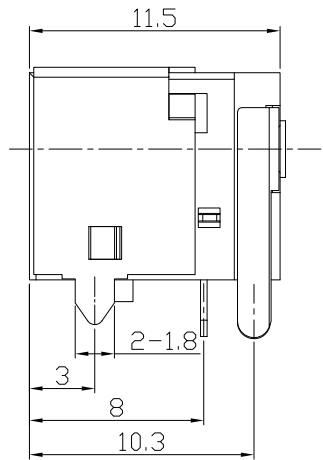
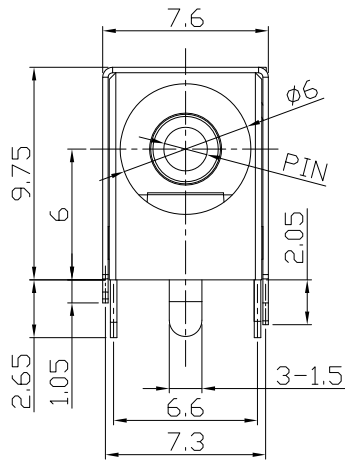




RoHS
Compliant
2002/95/EC

REV.	ECN. NO.	APPD.

DIMENSIONS



P.C.B Layout
(Copper-sided view)

MODEL CODE:

DCB0-0036A- A □ PB BK S 0 4

(1) (2) (3)(4) (5) (6) (7)(8) (9)

(1):Series type:DIP DC POWER JACK.

(2):Series No.

(3):Schematic option: A , B

(4):Center pin diameter:

G=φ1.65 , H=φ2.0 , I=φ2.35 , J=φ2.5

(5):Material of housing:

PB=PBT (Standard)

(6):Housing color:

BK=Black

(7):Terminal plating

S=Silver(Ag)

(8):Special option:

0=No special option

(9):Packing mode:

4=Bag packing

SPECIFICATION:

1.Rating : DC 12V 1A;

2.Contact resistance: ≤30mΩ;

3.Insulation resistance: ≥100MΩ (DC250V);

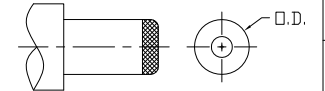
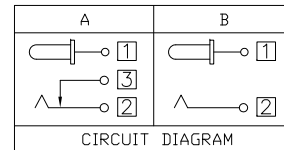
4.Withstand voltage: 500VAC ;

5.Insertion and extraction force: 3-30N;

6.life test: 5,000 cycles;

7.Operation temperature range:-20°C~70°C;

8.Preservative temperature range:-40°C~85°C;



DC MATE PLUG

Model No.	G	H	I	J
CENTER PIN	φ1.65	φ2.0	φ2.35	φ2.5
DC MATE PLUG	φ4.0	φ5.5	φ5.5	φ5.5

○: ITEM NO. □: TERMINAL NO.

⑥	Shield plate	④	Brass t=0.25	1	Nickel(Ni) Plating	TOLERANCE	ANGLES	UNITS	雅安科技有限公司 ACCURATE INNOTECH INC. TITLE: DIP DC POWER JACK PART NO.: DCB0-0036A DR: <i>Ricky</i> 2019/04/12 DWG NO.: AB0-0036A CHKD: <i>Ricky</i> 2019/04/12 APPD:
⑤	Shunt terminal	③	Brass t=0.3	1	Silver(Ag) Plating	±0.3	±2°	mm	
④	Tip spring	②	SUS301 t=0.3	1	Silver(Ag) Plating			MAT'L	
③	Center pin terminal	①	Brass t=0.3	1	Silver(Ag) Plating			SEE NOTE	
②	Center pin	①	Brass	1	Nickel(Ni) Plating			FINISH	
①	Housing		PBT UL94V-0	1		THESE DRAWINGS AND SPECIFICATIONS ARE THE PROPERTY OF ACCURATE INNOTECH INC AND SHALL NOT BE REPRODUCED, COPIED OR USED IN ANY MANNER WITHOUT THE PRIOR WRITTEN CONSENT OF ACCURATE INNOTECH INC.			Q'TY
NO.	PARTS	MATERIAL	Q'TY	FINISHING					APPD:

SCALE	SHEET	REV.	CUSTOMER
1:1	1/1	A	DRAWING