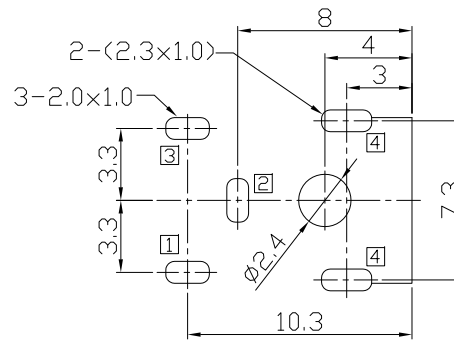
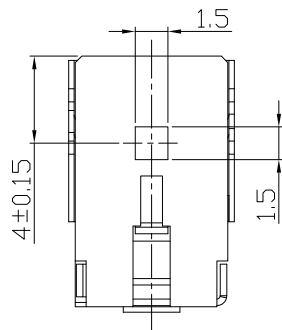
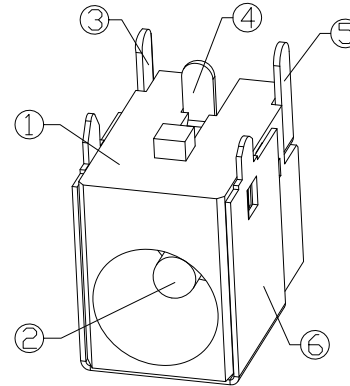
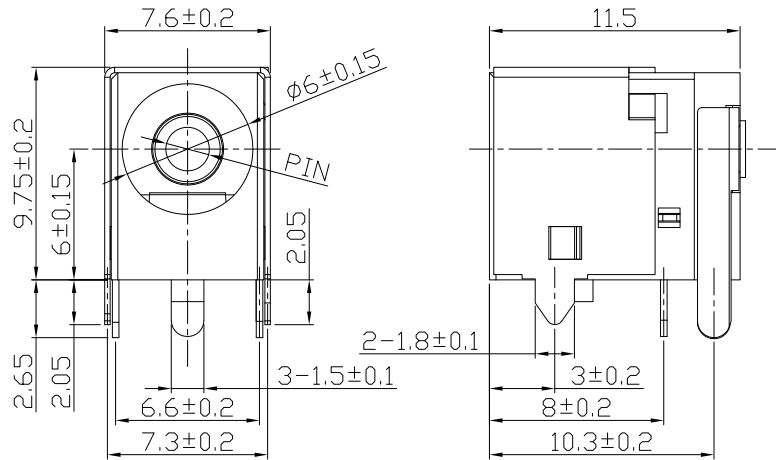




RoHS  
Compliant  
2002/95/EC

| REV. | ECN. NO. | APPD. |
|------|----------|-------|
|      |          |       |
|      |          |       |

DIMENSIONS



PCB HOLES(BOTTOM VIEW) t=1.6mm  
NOTE:GENERAL TOLERANCE:±0.05mm

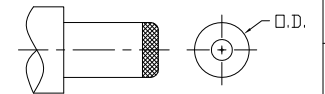
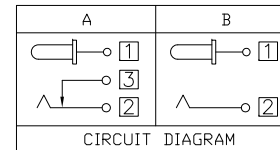
MODEL CODE:

DCB0-0036B- A □ PB BK S 0 4

- (1):Series type:DIP DC POWER JACK.
- (2):Series No.
- (3):Schematic option: A , B
- (4):Center pin diameter:  
G=∅1.65 , H=∅2.0 , I=∅2.35 , J=∅2.5
- (5):Material of housing:  
PB=PBT (Standard)
- (6):Housing color:  
BK=Black
- (7):Terminal plating  
S=Silver(Ag)
- (8):Special option:  
0=No special option
- (9):Packing mode:  
4=Bag packing

SPECIFICATION:

- 1.Rating : DC 20V 3A;
- 2.Contact resistance: ≤30mΩ;
- 3.Insulation resistance: ≥100MΩ (DC250V);
- 4.Withstand voltage: 500VAC ;
- 5.Insertion and extraction force: 3-30N;
- 6.life test: 5,000 cycles;
- 7.Operation temperature range:-20°C~70°C;
- 8.Preservative temperature range:-40°C~85°C;



DC MATE PLUG

| Model No.    | G     | H    | I     | J    |
|--------------|-------|------|-------|------|
| CENTER PIN   | ∅1.65 | ∅2.0 | ∅2.35 | ∅2.5 |
| DC MATE PLUG | ∅4.0  | ∅5.5 | ∅5.5  | ∅5.5 |

○: ITEM NO. □: TERMINAL NO.

| NO. | PARTS                 | MATERIAL     | Q'TY | FINISHING          | TOLERANCE | ANGLES | UNITS    |
|-----|-----------------------|--------------|------|--------------------|-----------|--------|----------|
| ⑥   | Shield plate ④        | Brass t=0.25 | 1    | Nickel(Ni) Plating |           |        | mm       |
| ⑤   | Shunt terminal ③      | Brass t=0.3  | 1    | Silver(Ag) Plating | ±0.3      | ±2°    | MAT'L    |
| ④   | Tip spring ②          | SUS301 t=0.3 | 1    | Silver(Ag) Plating |           |        | SEE NOTE |
| ③   | Center pin terminal ① | Brass t=0.3  | 1    | Silver(Ag) Plating |           |        | FINISH   |
| ②   | Center pin ①          | Brass        | 1    | Nickel(Ni) Plating |           |        | SEE NOTE |
| ①   | Housing               | PBT UL94V-0  | 1    |                    |           |        | Q'TY     |

THESE DRAWINGS AND SPECIFICATIONS ARE THE PROPERTY OF ACCURATE INNOTECH INC AND SHALL NOT BE REPRODUCED, COPIED OR USED IN ANY MANNER WITHOUT THE PRIOR WRITTEN CONSENT OF ACCURATE INNOTECH INC.

|                                    |  |                         |                  |
|------------------------------------|--|-------------------------|------------------|
| 雅安科技有限公司<br>ACCURATE INNOTECH INC. |  |                         |                  |
| TITLE:<br>DIP DC POWER JACK        |  | PART NO.:<br>DCB0-0036B |                  |
| DR: Ricky 2019/04/12               |  | DWG NO.:<br>AB0-0036B   |                  |
| CHKD: Ricky 2019/04/12             |  | SCALE                   | SHEET            |
| APPD:                              |  | 1:1                     | 1/1              |
|                                    |  | REV.                    | CUSTOMER DRAWING |
|                                    |  | A                       |                  |