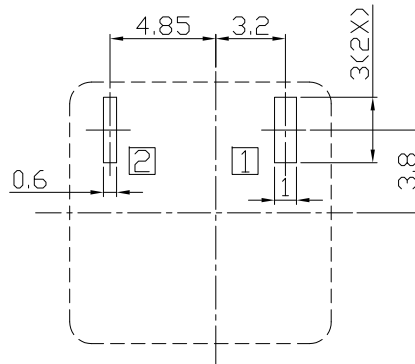
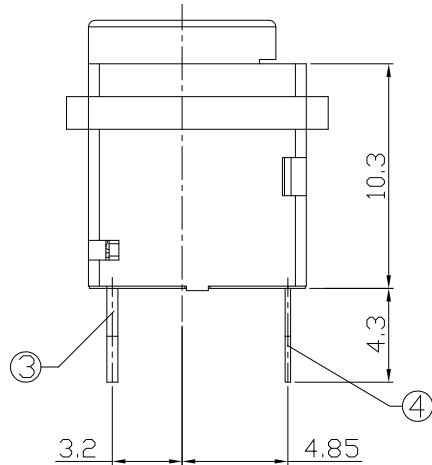
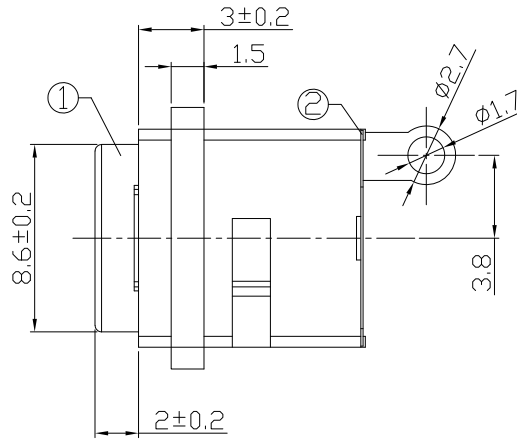
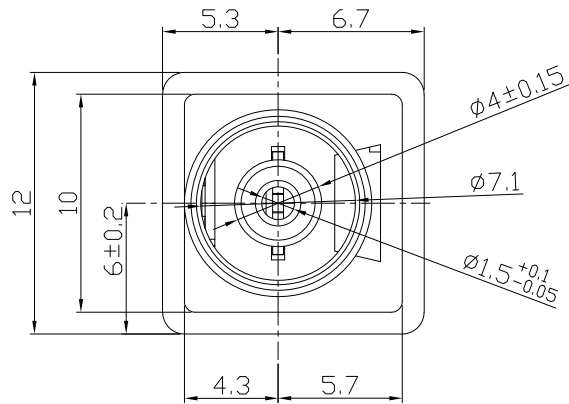




RoHS
Compliant
2002/95/EC

REV.	ECN. NO.	APPD.

DIMENSIONS



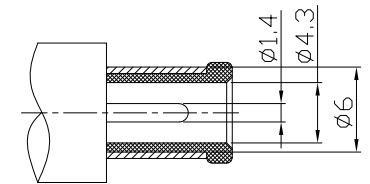
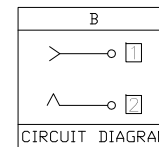
RECOMMENDED P.C.B. LAYOUT
UNSPECIFIED TOLERANCE: ±0.05
(COPPER-SIDED VIEW)

MODEL CODE:

DCB0-0037B- B F 66 BK T 0 4
 (1) (2) (3)(4) (5) (6) (7)(8) (9)
 (1):Series type:DIP DC POWER JACK.
 (2):Series No.
 (3):Schematic option: B
 (4):Center pin diameter:
 F=φ1.45
 (5):Material of housing:
 66=PA66 (Standard)
 (6):Housing color:
 BK=Black (Standard)
 (7):Terminal plating
 T=Tin(Sn)
 (8):Special option:
 0=No special option
 (9):Packing mode:
 4=Bag packing

SPECIFICATION:

- Rating : DC 30V 2A;
- Contact resistance: ≤30mΩ;
After test:≤50mΩ
- Insulation resistance: ≥100MΩ (DC500V);
After test:≥50MΩ
- Withstand voltage: 500VAC ;
- Insertion and extraction force: 3-30N;
- life test: 5,000 cycles;
- Operation temperature range:-20°C~70°C;
- Preservative temperature range:-40°C~85°C;



DC MATE PLUG

○: ITEM NO. □: TERMINAL NO.

NO.	PARTS	MATERIAL	Q'TY	FINISHING	TOLERANCE	ANGLES	UNITS	雅安科技有限公司 ACCURATE INNOTECH INC.			
④	Tip spring	Phosphor bronze t=0.25	1	Tin plating	±0.3	±2°	mm	TITLE: DIP DC POWER JACK		PART NO.: DCB0-0037B	
③	Center pin	Phosphor bronze t=0.5	1	Tin plating				DR: Ricky 2019/04/12		DWG NO.: AB0-0037B	
②	Cover	PP UL94HB	1	Black				FINISH SEE NOTE		CHKD: Ricky 2019/04/12	
①	Housing	PA66 UL94V-0	1	Black				Q'TY		APPD:	
								SCALE 1:1		SHEET 1/1	
								REV. A		CUSTOMER DRAWING	

THESE DRAWINGS AND SPECIFICATIONS ARE THE PROPERTY OF ACCURATE INNOTECH INC AND SHALL NOT BE REPRODUCED, COPIED OR USED IN ANY MANNER WITHOUT THE PRIOR WRITTEN CONSENT OF ACCURATE INNOTECH INC.