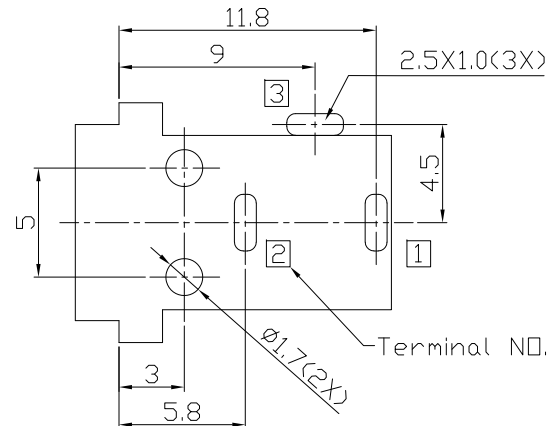
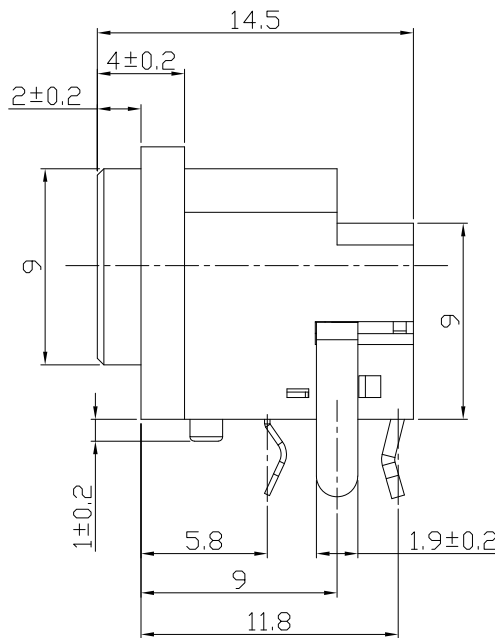
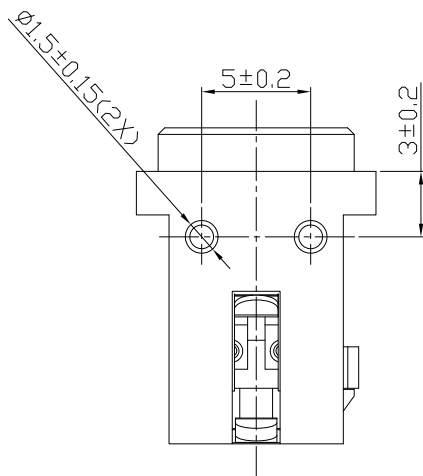
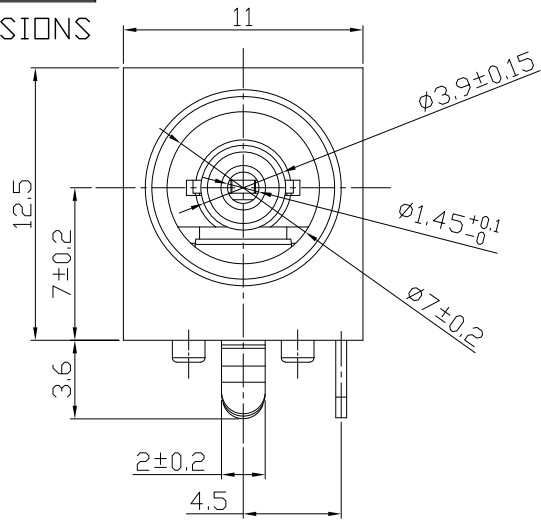




RoHS Compliant  
2002/95/EC

DIMENSIONS

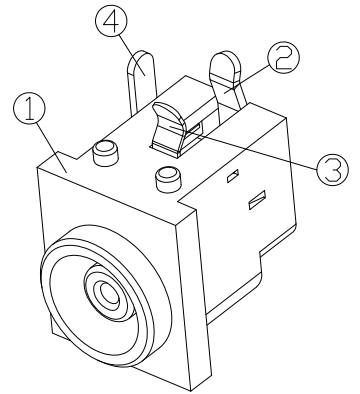


RECOMMENDED P.C.B. LAYOUT  
UNSPECIFIED TOLERANCE: ±0.05  
(BOTTOM VIEW)

MODEL CODE:

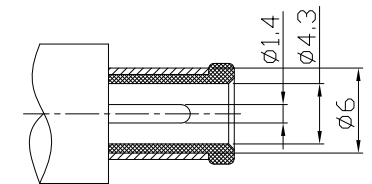
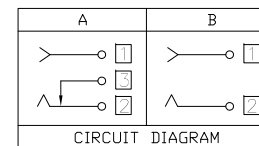
DCB0-00380- A F 66 BK S 0 4

- (1): Series type: DIP DC POWER JACK.
- (2): Series No.
- (3): Schematic option: A , B
- (4): Center pin diameter:  
F=∅1.45
- (5): Material of housing:  
66=PA66 (Standard)  
PB=PBT
- (6): Housing color:  
BK=Black (Standard)
- (7): Terminal plating  
S=Silver(Ag)  
T=Tin(Sn)
- (8): Special option:  
0=No special option
- (9): Packing mode:  
3=Plastic box packing  
4=Bag packing



SPECIFICATION:

- 1. Rating : DC 30V 2A;
- 2. Contact resistance: ≤30mΩ;  
After test: ≤50mΩ
- 3. Insulation resistance: ≥100MΩ (DC500V);  
After test: ≥50MΩ
- 4. Withstand voltage: 500VAC ;
- 5. Insertion and extraction force: 3-30N;
- 6. life test: 5,000 cycles;
- 7. Operation temperature range: -20°C~70°C;
- 8. Preservative temperature range: -40°C~85°C;



○: ITEM NO. □: TERMINAL NO.

NO.	PARTS	MATERIAL	Q'TY	FINISHING	TOLERANCE	ANGLES	UNITS	雅安科技有限公司 ACCURATE INNOTECH INC.								
					±0.3	±2°	mm	TITLE: DIP DC POWER JACK PART NO.: DCB0-00380 DR: <i>Ricky</i> 2019/04/12 DWG NO.: AB0-00380 CHKD: <i>Ricky</i> 2019/04/12 APPD:								
④	Shunt terminal ③	Brass t=0.5	1	Silver/Tin plating			MAT'L					SEE NOTE	SCALE	SHEET	REV.	CUSTOMER
③	Tip spring ②	Phosphor bronze t=0.25	1	Silver/Tin plating			FINISH					SEE NOTE	1:1	1/1	A	DRAWING
②	Center pin ①	Phosphor bronze t=0.6	1	Silver/Tin plating			Q'TY									
①	Housing	PA66 PBT	1	Black												
THESE DRAWINGS AND SPECIFICATIONS ARE THE PROPERTY OF ACCURATE INNOTECH INC AND SHALL NOT BE REPRODUCED, COPIED OR USED IN ANY MANNER WITHOUT THE PRIOR WRITTEN CONSENT OF ACCURATE INNOTECH INC.																