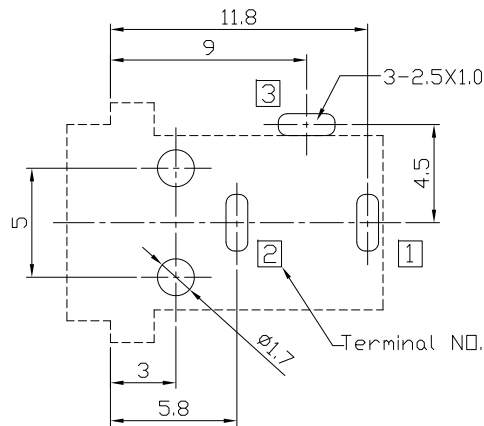
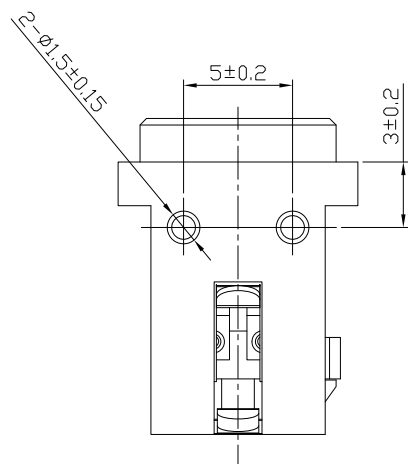
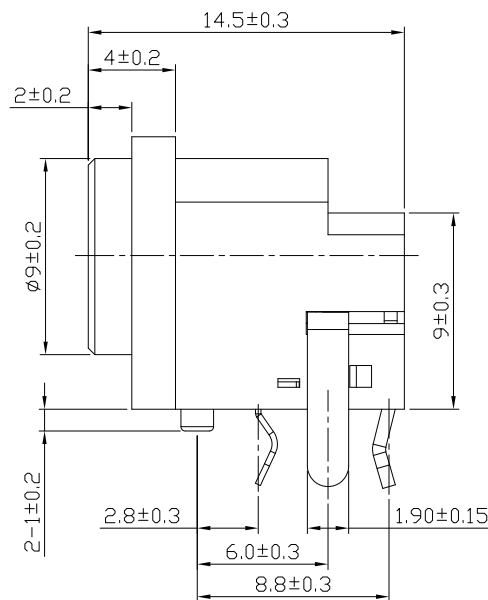
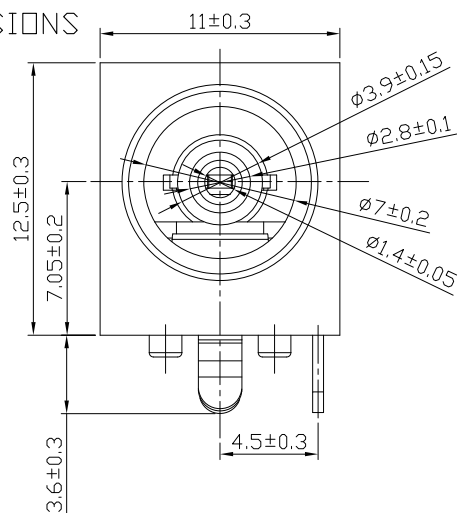




RoHS Compliant
2002/95/EC

REV.	ECN.	NO.	APPD.

DIMENSIONS



RECOMMENDED P.C.B. LAYOUT
UNSPECIFIED TOLERANCE:±0.05
(COPPER-SIDED VIEW)

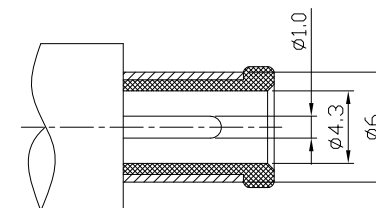
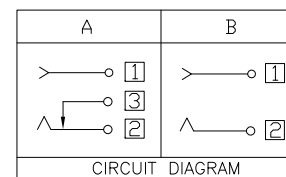
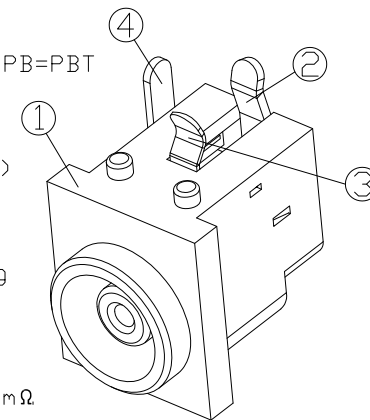
MODEL CODE:

DCB0-0038B- A F 66 BK S 0 4

- (1) (2) (3)(4)(5) (6)(7)(8) (9)
 (1):Series type:DIP DC POWER JACK.
 (2):Series No.
 (3):Schematic option: A,B
 (4):Center pin diameter:
 F=Ø1.0
 (5):Material of housing:
 66=PA66 (Standard), PB=PBT
 (6):Housing color:
 BK=Black
 (7):Terminal plating:
 S=Silver(Ag), T=Tin(Sn)
 (8):Special option:
 0=No special option
 (9):Packing mode:
 3=Plastic box packing
 4=Bag packing

Specification:

- Rating: DC 30V 0.5A.
- Contact resistance: ≤30mΩ
After life test:≤50mΩ
- Insulation resistance: ≥100MΩ (500VDC).
After life test: ≥50MΩ
- Withstand voltage: 500VAC.
- Insertion and extraction force: 3N~30N.
- life test: 5000cycles min.
- Operation temperature range: -20°C~70°C.
- Preservative temperature range: -40°C~85°C.



DC MATE PLUG

○: ITEM NO. □: TERMINAL NO.

NO.	PARTS	MATERIAL	Q'TY	FINISHING	TOLERANCE	ANGLES	UNITS	雅安科技有限公司 ACCURATE INNOTECH INC.				
④	Shunt terminal ③	Brass,t=0.5	1	Silver plating/Tin plating	.X ±0.50	X.* ±5°	mm	TITLE: DIP DC POWER JACK PART NO.: DCB0-0038B				
③	Tip spring ②	Phosphor bronze,t=0.3	1	Silver plating/Tin plating	.XX ±0.30	.X.* ±3°	MAT'L SEE NOTE					
②	Center pin terminal ①	Phosphor bronze,t=0.6	1	Silver plating/Tin plating	.XXX ±0.15	.XX.* ±2°	FINISH SEE NOTE	DR: Ricky 2023/10/24 DWG NO.: AB0-0038B				
①	Housing	PA66/PBT	1	Black	THESE DRAWINGS AND SPECIFICATIONS ARE THE PROPERTY OF ACCURATE INNOTECH INC AND SHALL NOT BE REPRODUCED, COPIED OR USED IN ANY MANNER WITHOUT THE PRIOR WRITTEN CONSENT OF ACCURATE INNOTECH INC.			CHKD: Ricky 2023/10/24				
								APPD:				
								SCALE	SHEET	REV.	CUSTOMER DRAWING	
								1:1	1/1	A		