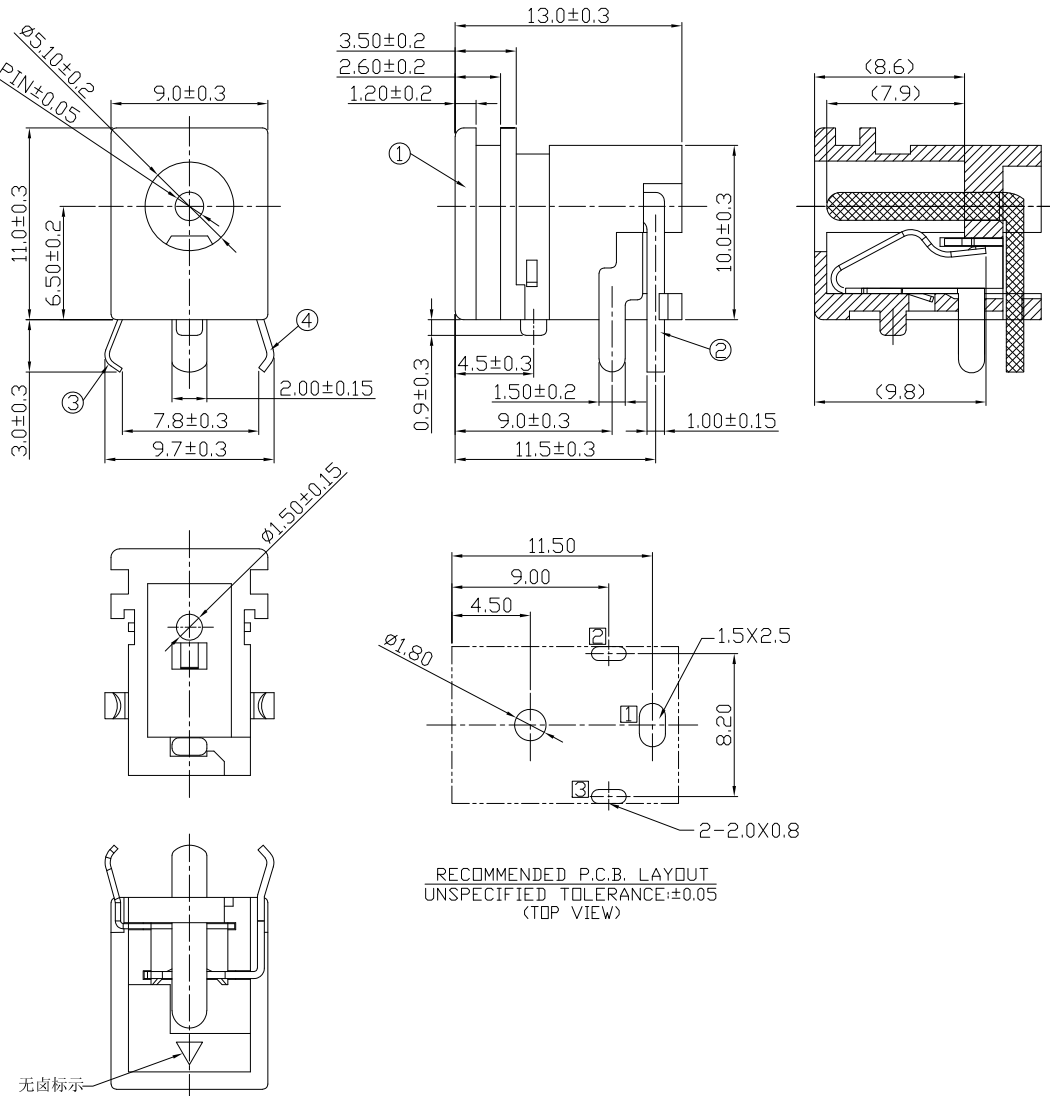




RoHS
Compliant
2002/95/EC

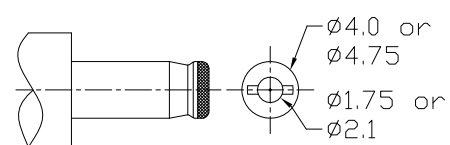
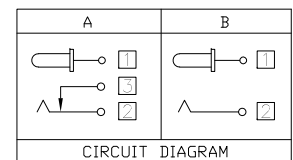
REV.	ECN. NO.	APPD.

DIMENSIONS



MODEL CODE:
 DCB0-00390- A □ PB BK S 0 4
 (1) (2) (3)(4) (5) (6) (7)(8) (9)
 (1):Series type:DIP DC POWER JACK.
 (2):Series No.
 (3):Schematic option: A , B
 (4):Center pin diameter:
 G=φ1.65 H=φ2.0
 (5):Material of housing:
 PB=PBT (Standard)
 (6):Housing color:
 BK=Black(426C) 4A=Yellow(0020)
 (7):Terminal plating
 S=Silver(Ag8u") A=Silver(Ag20u")
 (8):Special option:
 0=Center pin is Circle needle & Housing is Halogen
 1=Center pin is Even needle & Housing is Halogen
 2=Center pin is Circle needle
 & Housing is Halogen Free
 (9):Packing mode:
 4=Bag packing

SPECIFICATION:
 1.Rating : DC 20V 2A;
 2.Contact resistance: ≤30mΩ;
 After test:≤50mΩ
 3.Insulation resistance: ≥100MΩ (DC500V);
 After test:≥50MΩ
 4.Withstand voltage: 500VAC ;
 5.Insertion and extraction force: 3-30N;
 6.life test: 5,000 cycles;
 7.□operation temperature range:-20°C~70°C;
 8.Preservative temperature range:-40°C~85°C;



Model No.	G	H
CENTER PIN	$\phi 1.65$	$\phi 2.0$

○: ITEM NO. □: TERMINAL NO.

					X ±0.50	X ±5°	UNITS mm	雅安科技有限公司 ACCURATE INNOTECH INC.					
					XX ±0.30	X ±3°	MAT'L					TITLE: DIP DC POWER JACK	
④	Shunt terminal ③	Copper Alloy	1	Ag plating	XXX ±0.15	XX ±2°	SEE NOTE	DR: Ricky 2023/11/30		DWG NO.: AB0-00390			
③	Tip spring ②	Copper Alloy	1	Ag plating			FINISH	CHKD: Ricky 2023/11/30					
②	Center pin ①	Copper Alloy	1	Ag plating			SEE NOTE	APPD:					
①	Housing	Thermoplastic	1	See P/N ordering info			Q'TY						
NO.	PARTS	MATERIAL	Q'TY	FINISHING						SCALE 1:1	SHEET 1/1	REV. A	CUSTOMER DRAWING

THESE DRAWINGS AND SPECIFICATIONS ARE THE PROPERTY OF ACCURATE INNOTECH INC AND SHALL NOT BE REPRODUCED, COPIED OR USED IN ANY MANNER WITHOUT THE PRIOR WRITTEN CONSENT OF ACCURATE INNOTECH INC.