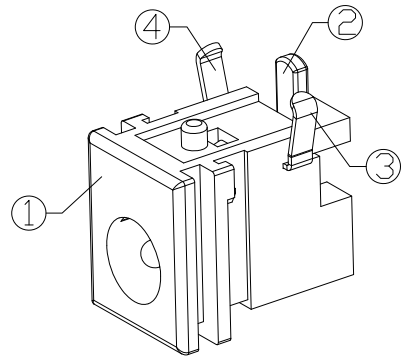
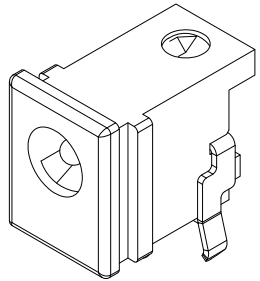
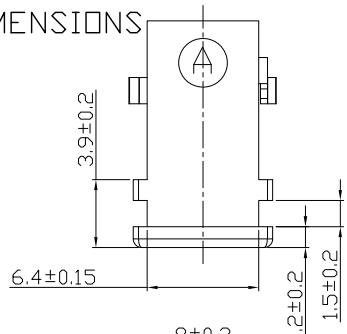




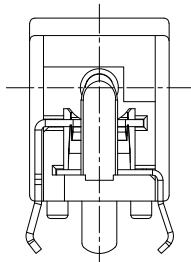
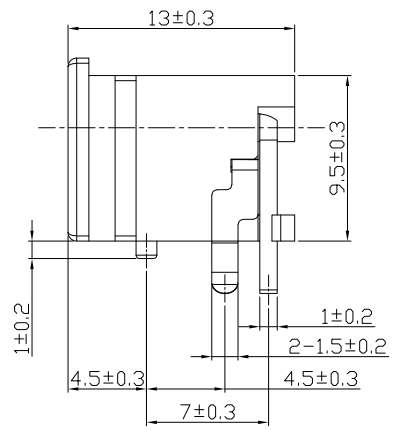
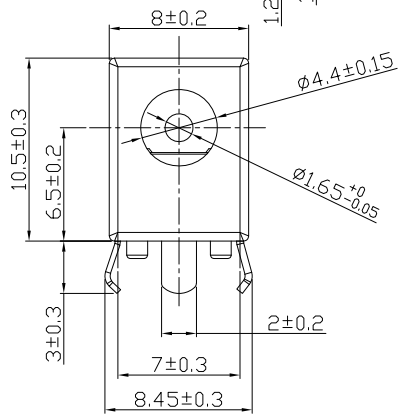
RoHS Compliant  
2002/95/EC

REV.	ECN. NO.	APPD.

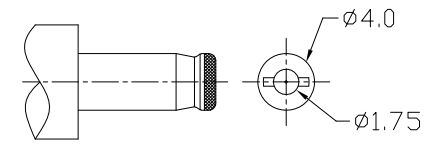
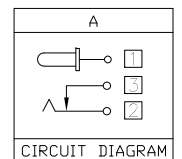
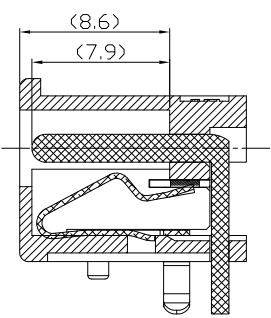
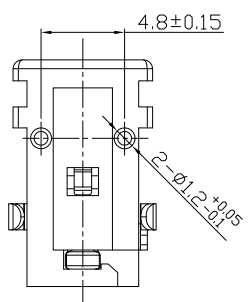
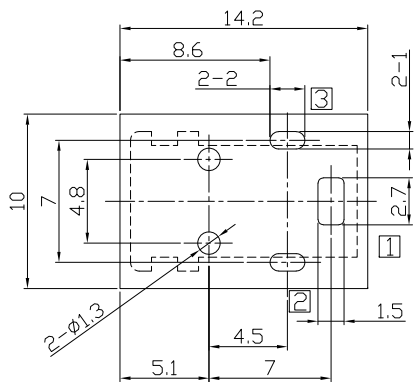
DIMENSIONS



MODEL CODE:  
DCB0-0039C- A G 66 BK S 0 3  
(1) (2) (3)(4)(5) (6) (7)(8) (9)  
(1):Series type:DIP DC POWER JACK.  
(2):Series No.  
(3):Schematic option: A  
(4):Center pin diameter:  
G=Ø1.65  
(5):Material of housing:  
66=PA66(Standard)  
(6):Housing color:  
BK=Black  
(7):Terminal plating  
S=Silver(Ag)  
(8):Special option:  
0=No special option  
(9):Packing mode:  
3=Plastic box packing



SPECIFICATION:  
1.Rating : DC 16V 3A;  
2.Contact resistance: ≤30mΩ;  
After test:≤50mΩ  
3.Insulation resistance: ≥100MΩ (DC500V);  
After test:≥50MΩ  
4.Withstand voltage: 500VAC ;  
5.Insertion and extraction force: 3-30N;  
6.life test: 5,000 cycles;  
7.Operation temperature range:-20°C~70°C;  
8.Preservative temperature range:-40°C~85°C;



○: ITEM NO. □: TERMINAL NO.

NO.	PARTS	MATERIAL	Q'TY	FINISHING	TOLERANCE	ANGLES	UNITS
④	Shunt terminal ③	Brass t=0.4	1	Silver plating	±0.3	±2'	mm
③	Tip spring ②	Phosphor bronze t=0.3	1	Silver plating			
②	Center pin ①	Brass	1	Silver plating			
①	Housing	PA66	1	Black			

雅安科技有限公司 ACCURATE INNOTECH INC.			
TITLE: DIP DC POWER JACK		PART NO.: DCB0-0039C	
DR: <i>Ricky</i> 2019/04/12		DWG NO.: AB0-0039C	
CHKD: <i>Ricky</i> 2019/04/12		SCALE	SHEET
APPD:	1:1	1/1	REV. A
		CUSTOMER DRAWING	

THESE DRAWINGS AND SPECIFICATIONS ARE THE PROPERTY OF ACCURATE INNOTECH INC AND SHALL NOT BE REPRODUCED, COPIED OR USED IN ANY MANNER WITHOUT THE PRIOR WRITTEN CONSENT OF ACCURATE INNOTECH INC.