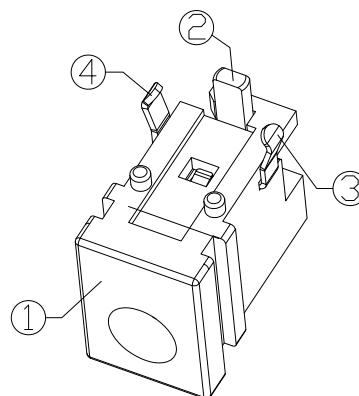
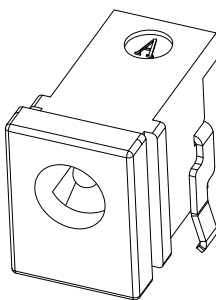
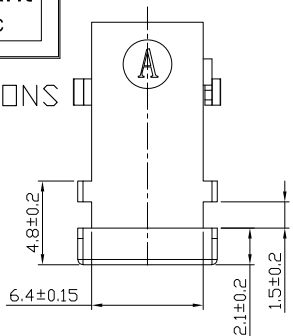




**RoHS Compliant**  
2002/95/EC

REV.	ECN. NO.	APPD.

**DIMENSIONS**

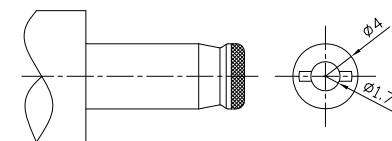
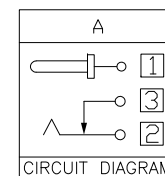
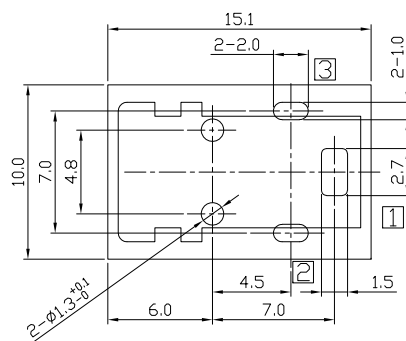
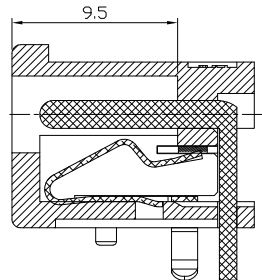
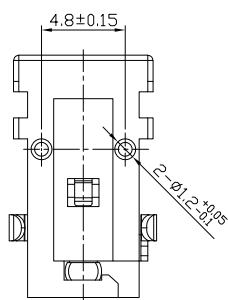
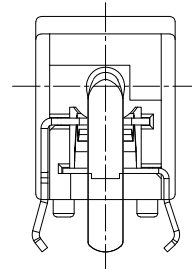
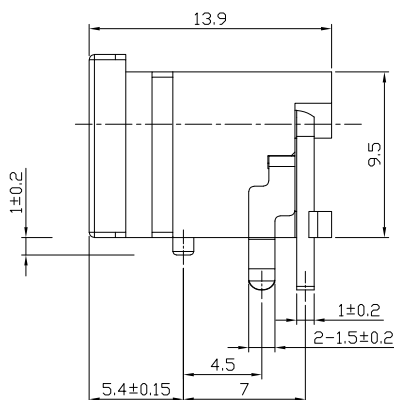
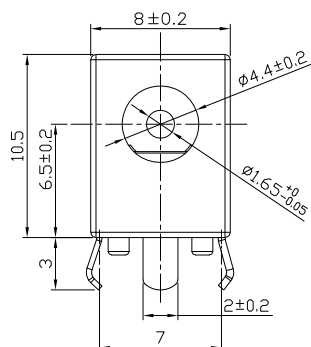


**MODEL CODE:**

- DCB0-0039D- A G 66 BK S 0 3  
 (1) (2) (3)(4)(5) (6)(7)(8) (9)  
 (1):Series type:DIP DC POWER JACK.  
 (2):Series No.  
 (3):Schematic option: A  
 (4):Center pin diameter: G=Ø1.65  
 (5):Material of housing:  
 66=PA66 (Standard)  
 (6):Housing color:  
 BK=Black  
 (7):Terminal plating:  
 S=Silver(Ag)  
 (8):Special option:  
 0=No special option  
 (9):Packing mode:  
 3=Plastic box packing

**Specification:**

- 1.Rating: DC 16V 3A.
- 2.Contact resistance: ≤30mΩ  
After test: ≤50mΩ
- 3.Insulation resistance: ≥100MΩ (500VDC).  
After test: ≥50MΩ
- 4.Withstanding voltage: 500VAC.
- 5.Insertion and extraction force: 3N~30N.
- 6.Life test: 5000 cycles min.
- 7.Operation temperature range: -20°C~70°C.
- 8.Preservative temperature range: -40°C~85°C.



DC MATE PLUG

○: ITEM NO. □: TERMINAL NO.

RECOMMENDED P.C.B. LAYOUT  
UNSPECIFIED TOLERANCE:±0.05  
(BOTTOM VIEW)

NO.	PARTS	MATERIAL	Q'TY	FINISHING	TOLERANCE	ANGLES	UNITS
④	Shunt terminal ③	Copper Alloy	1	Silver plating	.X ±0.50	X.* ±5°	mm
③	Tip spring ②	Copper Alloy	1	Silver plating	.XX ±0.30	.X.* ±3°	MAT'L
②	Center pin ①	Copper Alloy	1	Silver plating	.XXX ±0.15	.XX.* ±2°	SEE NOTE
①	Housing	PA66	1	Black	THESE DRAWINGS AND SPECIFICATIONS ARE THE PROPERTY OF ACCURATE INNOTECH INC AND SHALL NOT BE REPRODUCED, COPIED OR USED IN ANY MANNER WITHOUT THE PRIOR WRITTEN CONSENT OF ACCURATE INNOTECH INC.		FINISH
							SEE NOTE
							Q'TY

雅安科技有限公司  
ACCURATE INNOTECH INC.

TITLE: DIP DC POWER JACK PART NO.: DCB0-0039D

DR: Ricky 2023/10/24 DWG NO.: AB0-0039D

CHKD: Ricky 2023/10/24  
APPD: SCALE: 1:1 SHEET: 1/1 REV: A CUSTOMER DRAWING