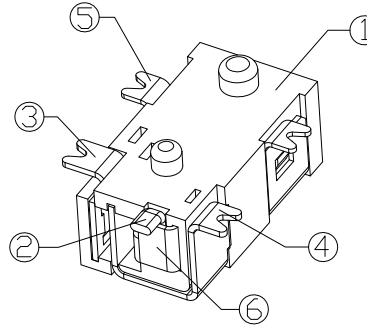
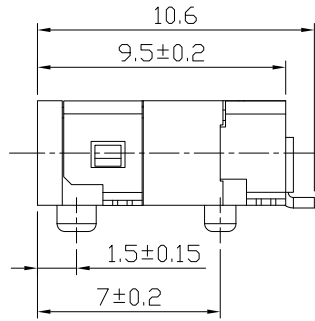
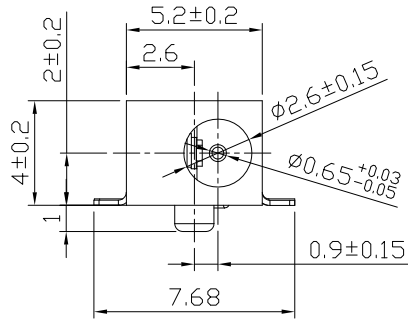




RoHS
Compliant
2002/95/EC

REV.	ECN. NO.	APPD.

DIMENSIONS



MODEL CODE:

DCB0-00410- A A 9T BK S 0 1

(1) (2) (3)<4>(5) (6)<7>(8) (9)

(1):Series type:SMD DC POWER JACK.

(2):Series No.

(3):Schematic option: A,B

(4):Center pin diameter:

A=φ0.65

(5):Material of housing:

9T=PA9T(Standard)

(6):Housing color:

BK=Black

(7):Terminal plating:

S=Silver(Ag)

(8):Special option:

0=No special option

(9):Packing mode:

1=Reel packing

SPECIFICATION

1.Rating : DC 20V 2A;

2.Contact resistance: ≤30mΩ;

After test:≤50mΩ;

3.Insulation resistance: ≥100MΩ (DC500V);

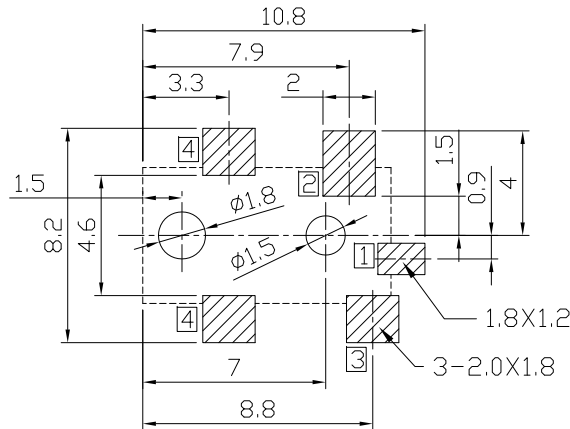
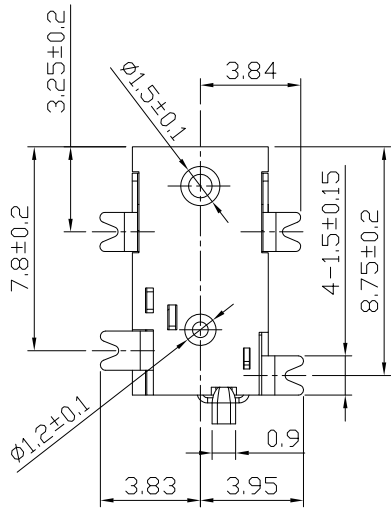
4.Withstand voltage: 500VAC ;

5.Insertion and extraction force: 3-30N;

6.life test: 5,000 cycles;

7.Operation temperature range:-20°C~70°C;

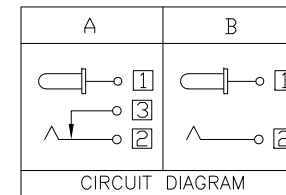
8.Preservative temperature range:-40°C~85°C;



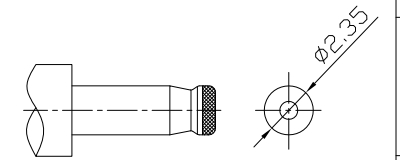
Recommended PCB Layout

Tolerance±0.05

(Copper-sided View)



CIRCUIT DIAGRAM



DC MATE PLUG

○: ITEM NO. □: TERMINAL NO.

NO.	PARTS	MATERIAL	Q'TY	FINISHING	TOLERANCE	ANGLES	UNITS
⑥	Hook	Stainless steel 0.2t	1	Silver plating			mm
⑤	Earth terminal	Brass,0.2t	1	Silver plating	±0.3	±2°	MAT'L
④	Shunt terminal ③	Brass,0.25t	1	Silver plating			SEE NOTE
③	Tip spring ②	Beryllium bronze 0.25t	1	Silver plating			FINISH
②	Center pin ①	Phosphor bronze	1	Silver plating			SEE NOTE
①	Housing	PA9T	1				Q'TY

THESE DRAWINGS AND SPECIFICATIONS ARE THE PROPERTY OF ACCURATE INNOTECH INC AND SHALL NOT BE REPRODUCED, COPIED OR USED IN ANY MANNER WITHOUT THE PRIOR WRITTEN CONSENT OF ACCURATE INNOTECH INC.

雅安科技有限公司 ACCURATE INNOTECH INC.			
TITLE: SMD DC POWER JACK		PART NO.: DCB0-00410	
DR: <i>Ricky</i> 2018/06/15		DWG NO.: AB0-00410	
CHKD: <i>Ricky</i> 2018/06/15		SCALE	SHEET
APPD:		1:1	1/1
		REV.	CUSTOMER DRAWING
		A	