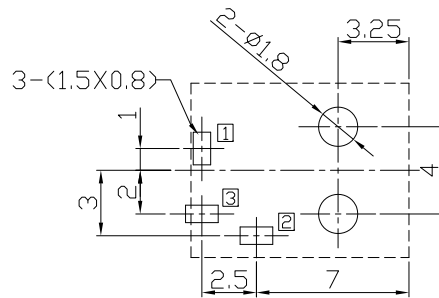
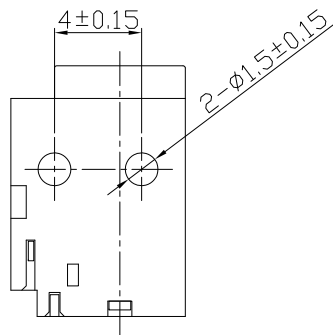
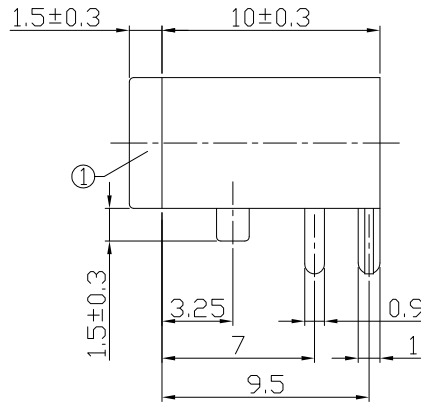
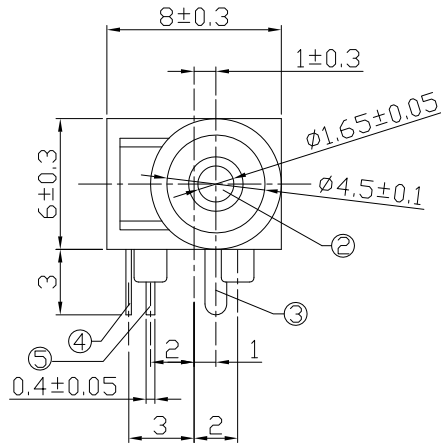




RoHS  
Compliant  
2002/95/EC

REV.	ECN. NO.	APPD.

DIMENSIONS



RECOMMENDED P.C.B. LAYOUT  
UNSPECIFIED TOLERANCE:±0.05  
(TOP VIEW)

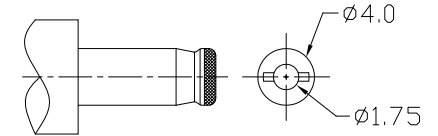
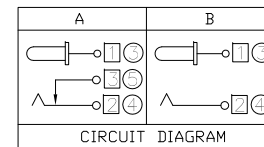
MODEL CODE:

DCB0-00430- A G PB BK S 0 4

- (1) (2) (3)(4)(5) (6) (7)(8) (9)
- (1):Series type:DIP DC POWER JACK.
- (2):Series No.
- (3):Schematic option: A , B
- (4):Center pin diameter:  
G=∅1.65
- (5):Material of housing:  
PB=PBT (Standard)
- (6):Housing color:  
BK=Black (Standard)
- (7):Terminal plating  
S=Silver(Ag)
- (8):Special option:  
0=No special option
- (9):Packing mode:  
4=Bag packing

SPECIFICATION:

- 1.Rating : DC 30V 1A;
- 2.Contact resistance: ≤30mΩ;  
After test:≤50mΩ
- 3.Insulation resistance: ≥100MΩ (DC500V);  
After test:≥50MΩ
- 4.Withstand voltage: 500VAC ;
- 5.Insertion and extraction force: 3-30N;
- 6.life test: 5,000 cycles;
- 7.Operation temperature range:-20°C~70°C;
- 8.Preservative temperature range:-40°C~85°C;



DC MATE PLUG

○: ITEM NO. □: TERMINAL NO.

NO.	PARTS	MATERIAL	Q'TY	FINISHING	TOLERANCE	ANGLES	UNITS mm	雅安科技有限公司 ACCURATE INNOTECH INC.			
⑤	Shunt terminal ③	Copper Alloy	1	Silver	.X ±0.50	X ±5°	MAT'L	TITLE: DIP DC POWER JACK		PART NO.: DCB0-00430	
④	Tip spring ②	Copper Alloy	1	Silver	.XX ±0.30	.X ±3°	SEE NOTE	DR: Ricky 2019/04/12		DWG NO.: AB0-00430	
③	Center pin terminal ①	Copper Alloy	1	Silver	.XXX ±0.15	.XX ±2°	FINISH	CHKD: Ricky 2019/04/12		SCALE SHEET REV. CUSTOMER 1:1 1/1 A DRAWING	
②	Center pin ①	Copper Alloy	1	Copper&tin alloy/Ni	THESE DRAWINGS AND SPECIFICATIONS ARE THE PROPERTY OF ACCURATE INNOTECH INC AND SHALL NOT BE REPRODUCED, COPIED OR USED IN ANY MANNER WITHOUT THE PRIOR WRITTEN CONSENT OF ACCURATE INNOTECH INC.		Q'TY	APPD:			