



RoHS Compliant
2002/95/EC

REV.	ECN. NO.	APPD.

MODEL CODE:

DCB0-00440- A □ PB BK S 0 4

(1) (2) (3)(4) (5) (6) (7)(8) (9)

(1):Series type:DIP DC POWER JACK.

(2):Series No.

(3):Schematic option: A

(4):Center pin diameter:

G=φ1.65, H=φ2.0, J=φ2.5

(5):Material of housing:

PB=PBT, 9T=PA9T

(6):Housing color:

BK=Black, 9A=White(0010=PBT)

(7):Terminal plating

S=Silver(Ag)

(8):Special option:

0=No special option

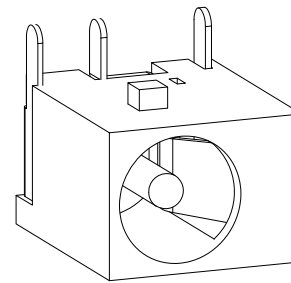
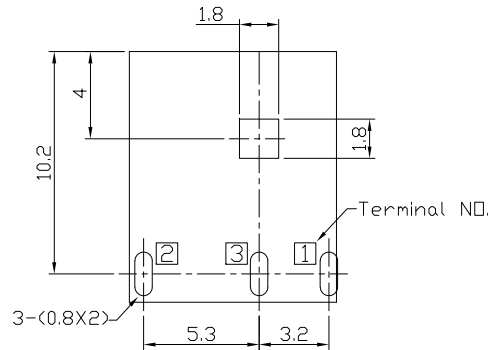
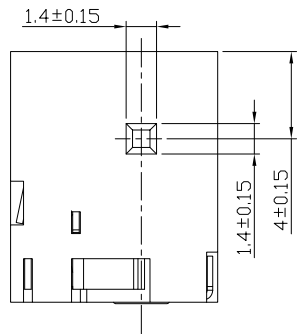
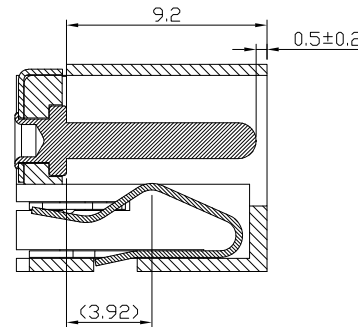
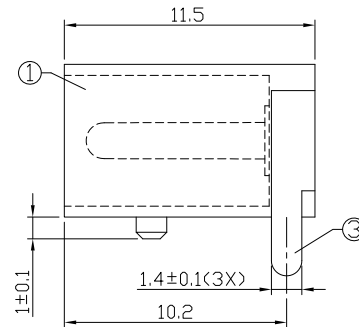
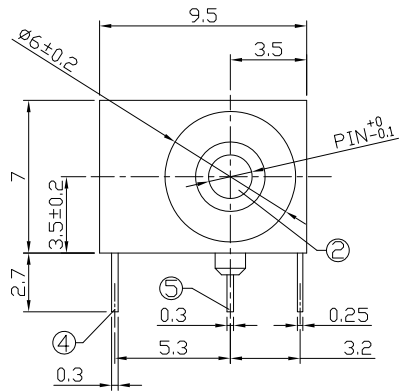
B=Stainless steel for 2#CONTACT

(9):Packing mode:

1=Reel packing

4=Bag packing

DIMENSIONS



SPECIFICATION:

1.Rating : DC 25V 3A;

2.Contact resistance: ≤30mΩ;

After test:≤50mΩ

3.Insulation resistance: ≥100MΩ (DC500V);

After test:≥50MΩ

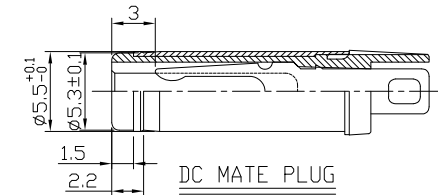
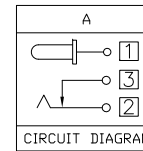
4.Withstand voltage: 500VAC ;

5.Insertion and extraction force: 3-30N;

6.life test: 5,000 cycles;

7.Operation temperature range:-20°C~70°C;

8.Preservative temperature range:-40°C~85°C;



RECOMMENDED P.C.B. LAYOUT
UNSPECIFIED TOLERANCE:±0.05
(BOTTOM VIEW)

○: ITEM NO. □: TERMINAL NO.

Model No.	G	H	J
CENTER PIN	φ1.65	φ2.0	φ2.5

NO.	PARTS	MATERIAL	Q'TY	FINISHING	TOLERANCE	ANGLES	UNITS mm	雅安科技有限公司 ACCURATE INNOTECH INC.					
⑤	Shunt terminal ③	Brass t=0.3	1	Silver plating	±0.3	±2°	MAT'L	TITLE: DIP DC POWER JACK		PART NO.: DCB0-00440			
④	Tip spring ②	Phosphor bronze t=0.3	1	Silver plating			SEE NOTE	DR: Ricky 2019/04/29		DWG NO.: AB0-00440			
③	Center pin contact ①	Brass t=0.25	1	Silver plating			FINISH	CHKD: Ricky 2019/04/29					
②	Center pin	Brass	1	Ni plating			SEE NOTE	APPD:		SCALE	SHEET	REV.	CUSTOMER
①	Housing	PBT/PA9T	1				Q'TY			1:1	1/1	A	DRAWING
<small>THESE DRAWINGS AND SPECIFICATIONS ARE THE PROPERTY OF ACCURATE INNOTECH INC AND SHALL NOT BE REPRODUCED, COPIED OR USED IN ANY MANNER WITHOUT THE PRIOR WRITTEN CONSENT OF ACCURATE INNOTECH INC.</small>													