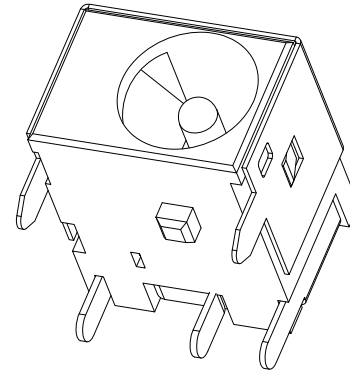
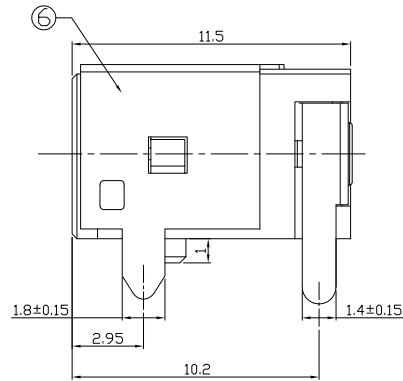
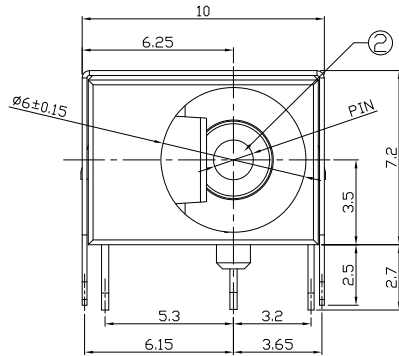




RoHS  
Compliant  
2002/95/EC

REV.	ECN. NO.	APPD.

### DIMENSIONS



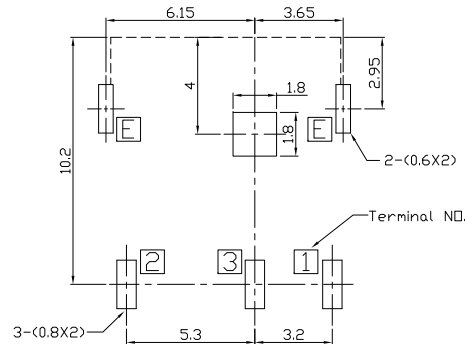
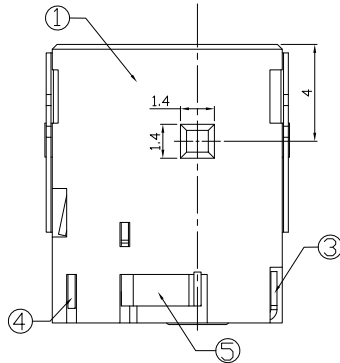
### MODEL CODE:

DCB0-0044J- A □ PB BK S 0 4

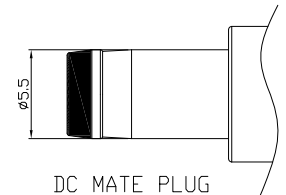
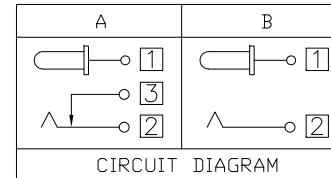
- (1): Series type: DIP DC POWER JACK.
- (2): Series No.
- (3): Schematic option: A , B
- (4): Center pin diameter:  
G=∅1.65 , H=∅2.0 , J=∅2.5
- (5): Material of housing:  
PB=PBT(Standard) , 9T=PA9T
- (6): Housing color:  
BK=Black (Only)
- (7): Terminal plating  
S=Silver(Ag) (Standard)  
T=Tin(Sn)  
G=Gold(Au)
- (8): Special option:  
0=No special option
- (9): Packing mode:  
1=Reel packing  
4=Bag packing

### SPECIFICATION:

- 1. Rating : DC 25V 3.0A;
- 2. Contact resistance:  $\leq 50m\Omega$ ;  
After test:  $\leq 100m\Omega$
- 3. Insulation resistance:  $\geq 100M\Omega$  (DC250V);  
After test:  $\geq 50M\Omega$
- 4. Withstand voltage: 500VAC ;
- 5. Insertion and extraction force: 3-30N;
- 6. Life test: 5,000 cycles;
- 7. Operation temperature range: -20°C~70°C;
- 8. Preservative temperature range: -40°C~85°C;



P.C.B Layout  
(Copper-sided view)



Model No.	G	H	J
CENTER PIN	∅1.65	∅2.0	∅2.5

○: ITEM NO. □: TERMINAL NO.

NO.	PARTS	MATERIAL	Q'TY	FINISHING	TOLERANCE	ANGLES	UNITS
⑥	Earth terminal	Phosphor bronze	1	Ni-Plating	±0.3	±2°	mm
⑤	Shunt terminal	Brass	1	Ag-Plating			MAT'L
④	Tip spring	Phosphor bronze	1	Ag-Plating			SEE NOTE
③	Center pin contact	Brass	1	Ag-Plating			FINISH
②	Center pin	Brass	1	Ni-Plating			SEE NOTE
①	Housing	PBT/PA9T	1				Q'TY

THESE DRAWINGS AND SPECIFICATIONS ARE THE PROPERTY OF ACCURATE INNOTECH INC AND SHALL NOT BE REPRODUCED, COPIED OR USED IN ANY MANNER WITHOUT THE PRIOR WRITTEN CONSENT OF ACCURATE INNOTECH INC.

雅安科技有限公司 ACCURATE INNOTECH INC.			
TITLE: DIP DC POWER JACK		PART NO.: DCB0-0044J	
DR: <i>Ricky</i> 2019/04/29		DWG NO.: AB0-0044J	
CHKD: <i>Ricky</i> 2019/04/29		SCALE	SHEET
APPD:	1:1	1/1	REV. A
			CUSTOMER DRAWING