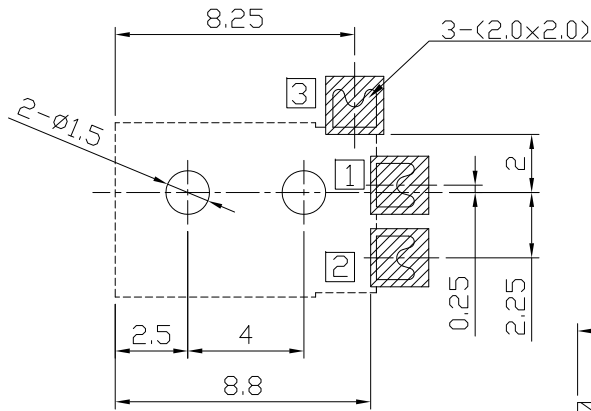
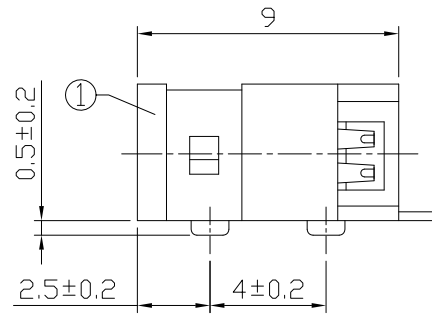
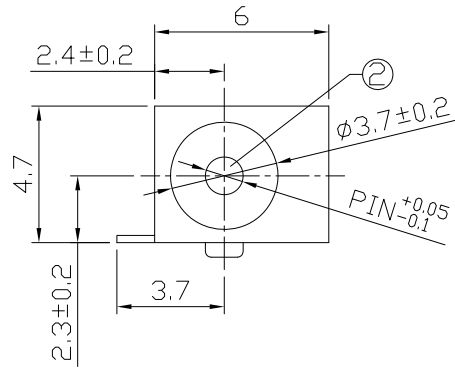




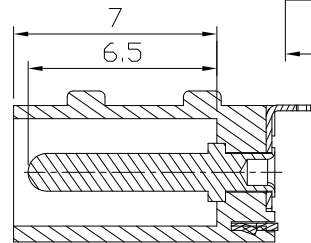
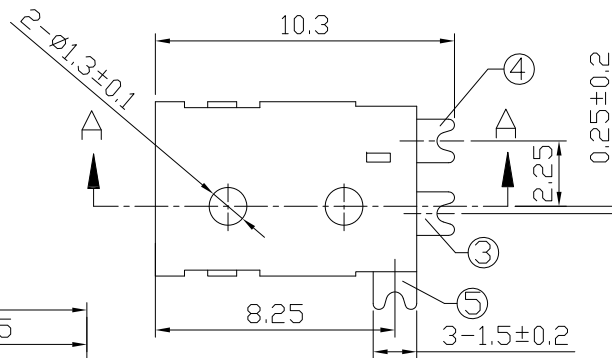
RoHS Compliant
2002/95/EC

REV.	ECN.	NO.	APPD.

DIMENSIONS



P.C.B Layout
(Copper-sided view)



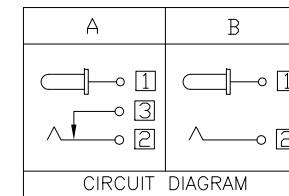
SECTION A-A

MODEL CODE:

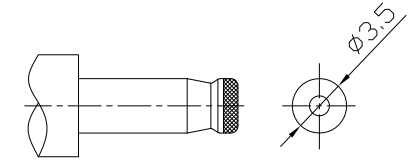
- DCB0-00450- A □ LC BK S 0 1
 (1) (2) (3)(4) (5) (6) (7)(8) (9)
 (1):Series type:SMD DC POWER JACK.
 (2):Series No.
 (3):Schematic option: A,B
 (4):Center pin diameter:
 C=φ1.0, E=φ1.3
 (5):Material of housing:
 LC=LCP(Standard)
 (6):Housing color:
 BK=Black
 (7):Terminal plating:
 S=Silver(Ag),G=Gold(Au)
 (8):Special option:
 0=No special option
 (9):Packing mode:
 1=Reel packing
 3=Plastic box packing

SPECIFICATION

- Rating : DC 12V 1A;
- Contact resistance: ≤30mΩ;
- Insulation resistance: ≥100MΩ (DC500V);
- Withstand voltage: 500VAC ;
- Insertion and extraction force: 3-30N;
- life test: 5,000 cycles.
- Operation temperature range:-20°C~70°C;
- Preservative temperature range:-40°C~85°C;



Model No.	C	E
CENTER PIN	φ1.0	φ1.3



DC MATE PLUG

○: ITEM NO. □: TERMINAL NO.

⑤	Shunt terminal	Brass,t=0.25	1	Silver/Gold plating
④	Tip spring	Beryllium bronze,t=0.3	1	Silver/Gold plating
③	Center pin terminal	Brass,t=0.2	1	Silver/Gold plating
②	Center pin	Brass	1	Nickel/Gold plating
①	Housing	LCP	1	
NO.	PARTS	MATERIAL	Q'TY	FINISHING

THESE DRAWINGS AND SPECIFICATIONS ARE THE PROPERTY OF ACCURATE INNOTECH INC. AND SHALL NOT BE REPRODUCED, COPIED OR USED IN ANY MANNER WITHOUT THE PRIOR WRITTEN CONSENT OF ACCURATE INNOTECH INC.

TOLERANCE	ANGLES	UNITS	mm	雅安科技有限公司 ACCURATE INNOTECH INC.							
±0.3	±2°	MAT'L	SEE NOTE								
		FINISH	SEE NOTE	TITLE:	SMD DC POWER JACK			PART NO.:	DCB0-00450		
		Q'TY		DR:	Ricky 2018/06/20			DWG NO.:	AB0-00450		
				CHKD:	Ricky 2018/06/20			SCALE	SHEET	REV.	CUSTOMER DRAWING
				APPD:				1:1	1/1	A	