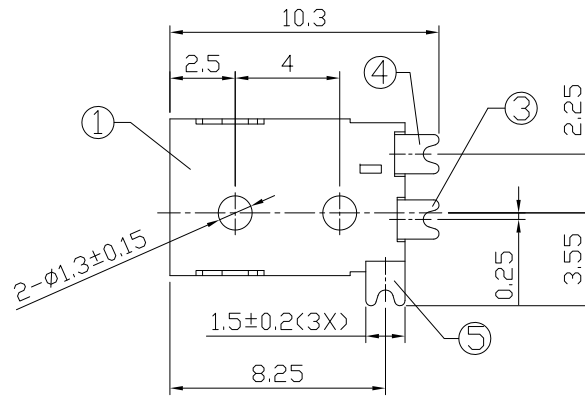
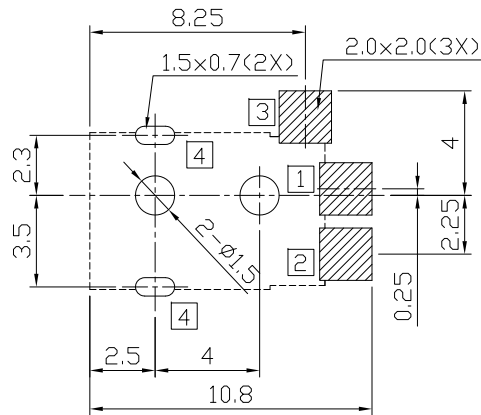
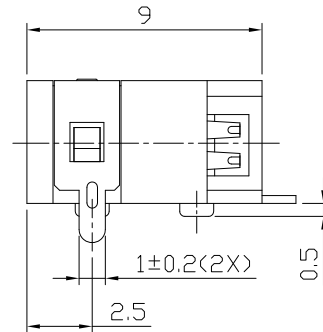
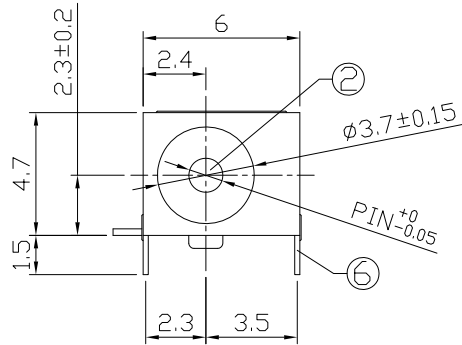




RoHS
Compliant
2002/95/EC

REV.	ECN. NO.	APPD.

DIMENSIONS



RECOMMENDED P.C.B. LAYOUT
UNSPECIFIED TOLERANCE:±0.05
(TOP-SIDED VIEW)

MODEL CODE:

DCB0-0045A- A □ LC BK S 0 1

(1) (2) (3)(4) (5) (6)(7)(8) (9)

(1):Series type:SMD DC POWER JACK.

(2):Series No.

(3):Schematic option: A

(4):Center pin diameter:

C=φ1.0, E=φ1.3

(5):Material of housing:

LC=LCP(Standard)

(6):Housing color:

BK=Black

(7):Terminal plating:

S=Silver(Ag)

(8):Special option:

0=No special option

(9):Packing mode:

1=Reel packing

3=Plastic box packing

Specification:

1.Rating : DC 12V 1A.

2.Contact resistance: ≤30mΩ

After test:≤50mΩ

3.Insulation resistance: ≥100MΩ (500VDC).

After test:≥50MΩ

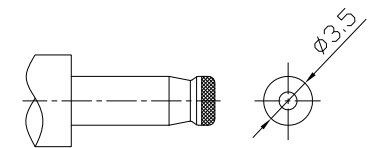
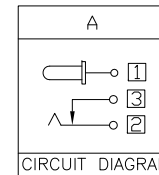
4.Withstanding voltage: 500VAC.

5.Insertion and extraction force: 3N~30N.

6.life test: 5000cycles min.

7. Operation temperature range:-20°C~70°C

8.Preservative temperature range:-40°C~85°C



DC MATE PLUG

Model No.	C	E
CENTER PIN	φ1.0	φ1.3

○: ITEM NO. □: TERMINAL NO.

⑥	Shield plate	④	Brass t0.2	1	Tin plating
⑤	Shunt terminal	③	Brass t0.25	1	Silver plating
④	Tip spring	②	Beryllium bronze t0.3	1	Silver plating
③	Center pin terminal	①	Brass t0.2	1	Silver plating
②	Center pin	①	Brass	1	CuSn/Nickel plating
①	Housing		LCP,UL 94V-0	1	Black
NO.	PARTS	MATERIAL	Q'TY	FINISHING	

THESE DRAWINGS AND SPECIFICATIONS ARE THE PROPERTY OF ACCURATE INNOTECH INC AND SHALL NOT BE REPRODUCED, COPIED OR USED IN ANY MANNER WITHOUT THE PRIOR WRITTEN CONSENT OF ACCURATE INNOTECH INC.

TOLERANCE	ANGLES	UNITS	mm
±0.3	±2°	MAT'L	SEE NOTE
		FINISH	SEE NOTE
		Q'TY	

雅安科技有限公司 ACCURATE INNOTECH INC.			
TITLE: SMD DC POWER JACK		PART NO.: DCB0-0045A	
DR: Ricky 2018/06/20		DWG NO.: AB0-0045A	
CHKD: Ricky 2018/06/20		SCALE	SHEET
APPD:		1:1	1/1
		REV.	CUSTOMER DRAWING
		A	