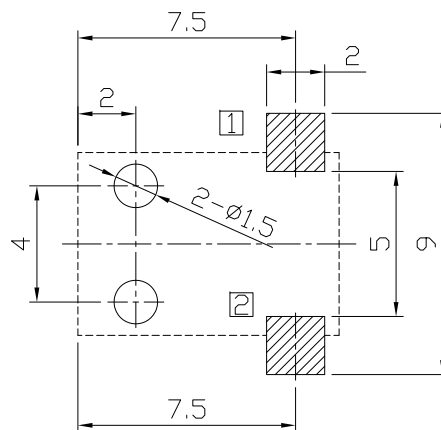
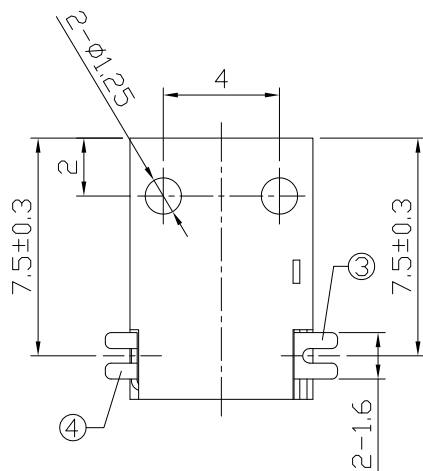
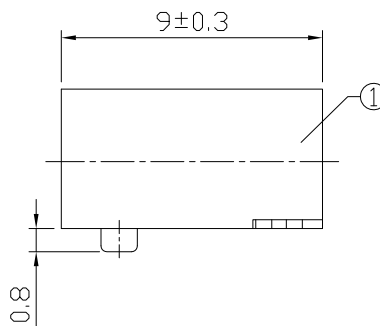
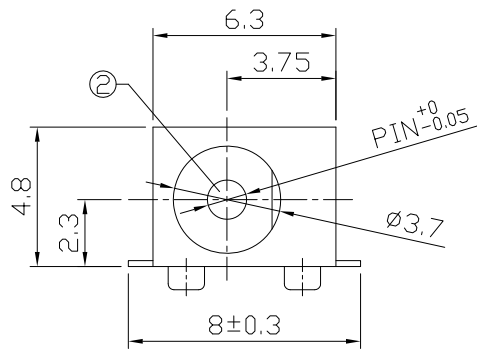




RoHS
Compliant
2002/95/EC

REV.	ECN.	NO.	APPD.

DIMENSIONS

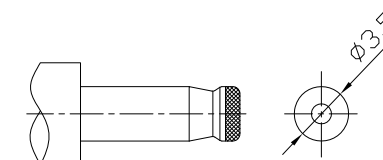
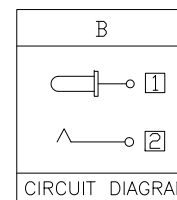


MODEL CODE:

DCB0-00470- B □ 9T BK S 0 1
 (1) (2) (3)(4) (5) (6)(7)(8) (9)
 (1):Series type:SMD DC POWER JACK.
 (2):Series No.
 (3):Schematic option: B
 (4):Center pin diameter:
 C=∅1.0, E=∅1.3
 (5):Material of housing:
 9T=PA9T(Standard), 46=PA46
 (6):Housing color:
 BK=Black
 (7):Terminal plating:
 S=Silver(Ag)
 (8):Special option:
 0=No special option
 (9):Packing mode:
 1=Reel packing

SPECIFICATION

1.Rating : DC 30V 1A;
 2.Contact resistance: ≤50mΩ;
 3.Insulation resistance: ≥100MΩ (DC500V);
 4.Withstand voltage: 500VAC ;
 5.Insertion and extraction force: 3-30N;
 6.life test: 5,000 cycles;
 7.∅peration temperature range:-20°C~70°C;
 8.Preservative temperature range:-40°C~85°C;



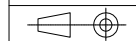
Model No.	C	E
CENTER PIN	∅1.0	∅1.3

DC MATE PLUG

○: ITEM NO. □: TERMINAL NO.

④	Tip spring	②	Brass t=0.2	1	Silver plating	±0.3	±2'	UNITS mm	雅安科技有限公司 ACCURATE INNOTECH INC. TITLE: SMD DC POWER JACK PART NO.: DCB0-00470 DR: Ricky 2018/06/21 DWG NO.: AB0-00470 CHKD: Ricky 2018/06/21 APPD:
③	Center pin terminal	①	Stainless steel t=0.2	1	Silver plating			MAT'L SEE NOTE	
②	Center pin	①	Brass	1	CuSn/Nickel plating			FINISH SEE NOTE	
①	Housing		PA9T/PA46	1				Q'TY	
NO.	PARTS		MATERIAL	Q'TY	FINISHING				

THESE DRAWINGS AND SPECIFICATIONS ARE THE PROPERTY OF ACCURATE INNOTECH INC. AND SHALL NOT BE REPRODUCED, COPIED OR USED IN ANY MANNER WITHOUT THE PRIOR WRITTEN CONSENT OF ACCURATE INNOTECH INC.



SCALE	SHEET	REV.	CUSTOMER DRAWING
1:1	1/1	A	