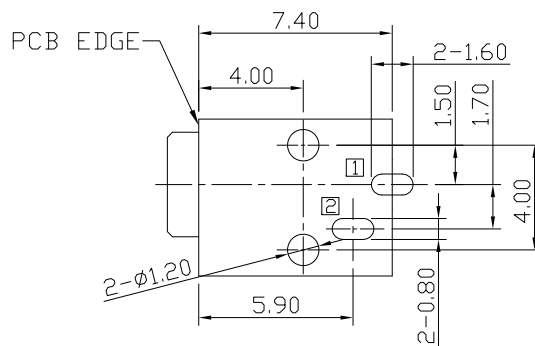
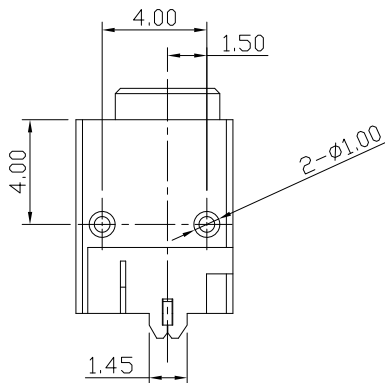
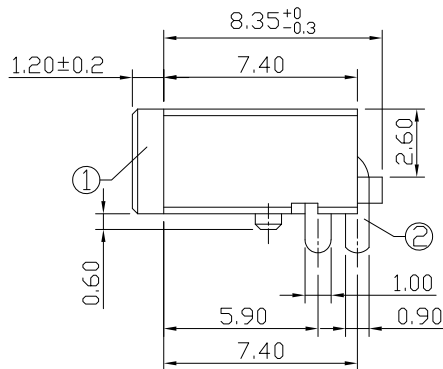
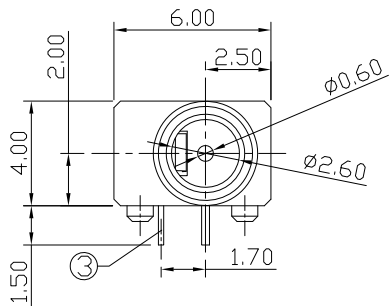




RoHS  
Compliant  
2002/95/EC

Halogen Free

DIMENSIONS



PCB HOLES(BOTTOM VIEW) t=1.2mm  
NOTE:GENERAL TOLERANCE:±0.05mm

MODEL CODE:

DCB0-0048C- B M 10 BK G 0 4

(1) (2) (3)(4)(5)(6)(7)(8) (9)

(1):Series type:DIP DC POWER JACK.

(2):Series No.

(3):Schematic option: B

(4):Center pin diameter: M=φ0.6

(5):Material of housing:

PB=PBT 10=PA10T (Standard)

(6):Housing color:

BK=Black (Standard)

(7):Terminal plating:

G=Gold(Au)

(8):Special option:

0=No special option

(9):Packing mode:

4=Bag packing

Specification:

1.Rating: DC 12V 2A;

2.Contact resistance: ≤50mΩ;

After test: ≤100mΩ

3.Insulation resistance: ≥100MΩ(500VDC);

After test: ≥50MΩ

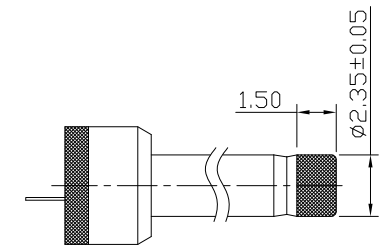
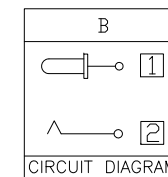
4.Withstand voltage: 500VAC;

5.Insertion and extraction force: 3N~30N;

6.life test: 5000cycles min;

7.Operaton temperature range: -20℃~70℃;

8.Preservation temperature range: -40℃~85℃;



DC MATE PLUG

○: ITEM NO. □: TERMINAL NO.

NO.	PARTS	MATERIAL	Q'TY	FINISHING	TOLERANCE	ANGLES	UNITS	雅安科技有限公司 ACCURATE INNOTECH INC.			
					.X ±0.38	X.° ±5°	mm				
					.XX ±0.30	.X° ±3°	MAT'L	TITLE: DIP DC POWER JACK		PART NO.: DCB0-0048C	
					.XXX ±0.15	.XX° ±2°	SEE NOTE	DR: Ricky 2023/10/24		DWG NO.: AB0-0048C	
							FINISH	CHKD: Ricky 2023/10/24		SCALE SHEET REV. CUSTOMER	
							SEE NOTE	APPD:		1:1 1/1 A DRAWING	
							Q'TY				

THESE DRAWINGS AND SPECIFICATIONS ARE THE PROPERTY OF ACCURATE INNOTECH INC AND SHALL NOT BE REPRODUCED, COPIED OR USED IN ANY MANNER WITHOUT THE PRIOR WRITTEN CONSENT OF ACCURATE INNOTECH INC.