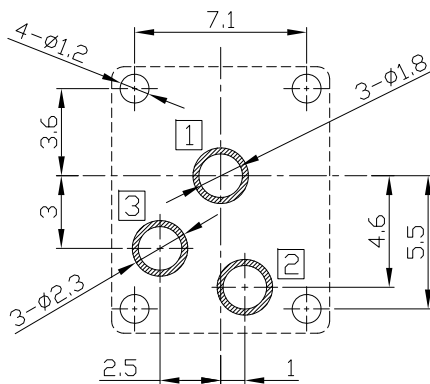
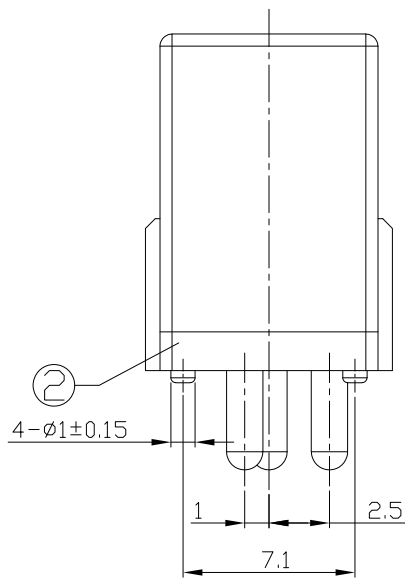
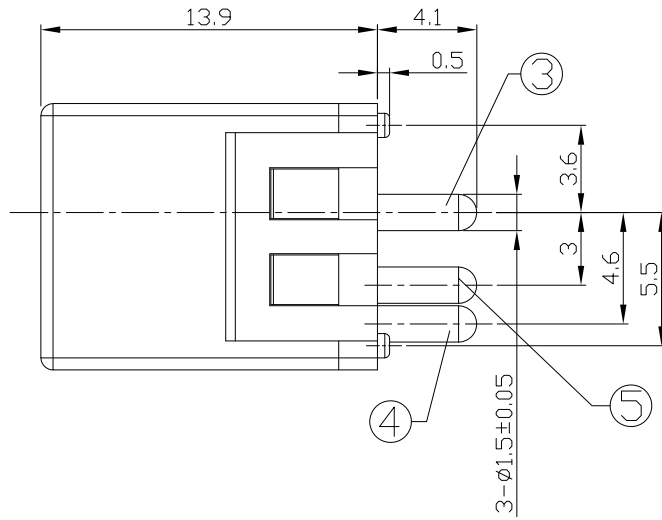
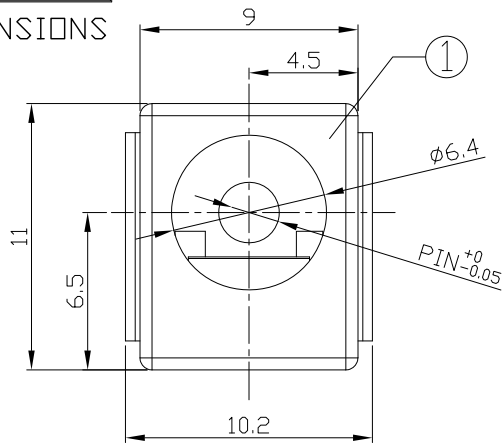




RoHS
Compliant
2002/95/EC

REV.	ECN. NO.	APPD.

DIMENSIONS



PCB HOLES(BOTTOM VIEW) t=1.6mm
NOTE:GENERAL TOLERANCE:±0.05mm

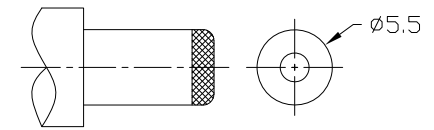
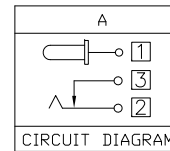
MODEL CODE:

DCB0-00510- A □ PB BK S 0 4

- (1):Series type:DIP DC POWER JACK.
- (2):Series No.
- (3):Schematic option: A
- (4):Center pin diameter:
H=ø2.0 , J=ø2.5
- (5):Material of housing:
PB=PBT(Default)
- (6):Housing color:
BK=Black
- (7):Terminal plating
S=Silver(Ag)
- (8):Special option:
0=No special option
- (9):Packing mode:
4=Bag packing

SPECIFICATION:

- 1.Rating : DC 24V 3.5A;
- 2.Contact resistance: ≤30mΩ;
After test:≤50mΩ
- 3.Insulation resistance: ≥100MΩ (DC500V);
After test:≥50MΩ
- 4.Withstand voltage: 500VAC ;
- 5.Insertion and extraction force: 3-30N;
- 6.life test: 5,000 cycles;
- 7.Operation temperature range:-20°C~70°C;
- 8.Preservative temperature range:-40°C~85°C;



Model No.	H	J
CENTER PIN	ø2.0	ø2.5

DC MATE PLUG

○: ITEM NO. □: TERMINAL NO.

NO.	PARTS	MATERIAL	Q'TY	FINISHING	TOLERANCE	ANGLES	UNITS mm	雅安科技有限公司 ACCURATE INNOTECH INC.					
⑤	Shunt terminal ③	Brass t=0.3	1	Silver plating	±0.3	±2°	MAT'L	TITLE: DIP DC POWER JACK		PART NO.: DCB0-00510			
④	Tip spring ②	Phosphor bronze t=0.3	1	Silver plating			SEE NOTE	DR: <i>Ricky</i> 2019/04/30		DWG NO.: AB0-00510			
③	Center pin ①	Brass	1	Silver plating			FINISH	CHKD: <i>Ricky</i> 2019/04/30					
②	Cover	Thermoplastic UL94V-0	1	Black			SEE NOTE	APPD:		SCALE	SHEET	REV.	CUSTOMER
①	Housing	PBT UL94V-0	1	Black			Q'TY			1:1	1/1	A	DRAWING
								THESE DRAWINGS AND SPECIFICATIONS ARE THE PROPERTY OF ACCURATE INNOTECH INC AND SHALL NOT BE REPRODUCED, COPIED OR USED IN ANY MANNER WITHOUT THE PRIOR WRITTEN CONSENT OF ACCURATE INNOTECH INC.					