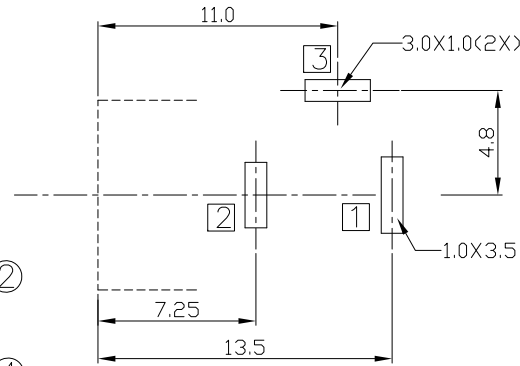
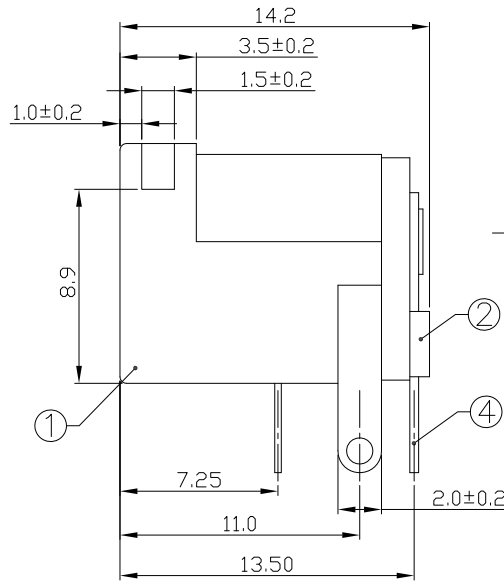
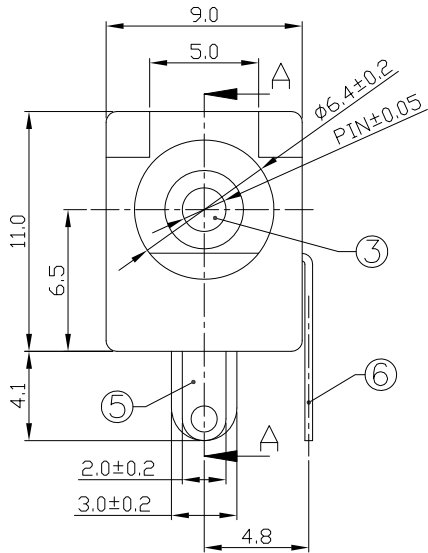




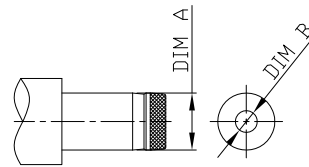
RoHS
Compliant
2002/95/EC

REV.	ECN.	NO.	APPD.

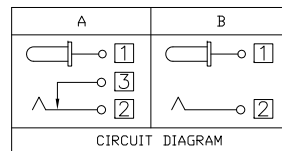
DIMENSIONS



RECOMMENDED P.C.B. LAYOUT
UNSPECIFIED TOLERANCE:±0.05
(BOTTOM VIEW)



DC MATE PLUG



CIRCUIT DIAGRAM

Model No.	H	I	J
CENTER PIN	φ2.0	φ2.35	φ2.5
DIM A	φ5.5±0.05	φ5.5±0.05	φ5.5±0.05
DIM B	φ2.05 ^{+0.10} _{-0.00}	φ2.40 ^{+0.10} _{-0.00}	φ2.55 ^{+0.10} _{-0.00}

MODEL CODE:

DCB0-005BY- A □ PB BK I 0 4
(1) (2) (3)(4) (5) (6) (7)(8) (9)

(1):Series type:DIP DC POWER JACK.

(2):Series No.

(3):Schematic option: A , B

(4):Center pin diameter:

H=φ2.0 , I=φ2.35 , J=φ2.5

(5):Material of housing:

PB=PBT

(6):Housing color:

BK=Black

2A=Red(0350)=PBT4815

2R=Red(0046=XH1033)=PBT4815

4H=Yellow(0039=XH1029)=PBT4815

4N=Yellow(0080)=PBT4815

9A=White(0100=XH1013)=PBT4815

(7):Terminal plating

T=Tin(Sn)

(8):Special option:

0=Black cover

(9):Packing mode:

4=Bag packing

Specification:

1.Rating :DC 20V 4A.

2.Contact resistance :≤30mΩ

After test:≤50mΩ

3.Insulation resistance : ≥100MΩ (500VDC).

After test:≥50MΩ

4.Withstanding voltage: 500VAC .

5.Insertion and extraction force: 3N~30N.

6.life test: 5000cycles min.

7.Operation temperature range:-20℃~70℃.

8.Preservative temperature range:-40℃~85℃.

○: ITEM NO. □: TERMINAL NO.

NO.	PARTS	MATERIAL	Q'TY	FINISHING	TOLERANCE	ANGLES	UNITS
⑥	Shunt terminal ③	Brass t=0.35	1	Tin plating			mm
⑤	Tip spring ②	Phosphor bronze t=0.30	1	Tin plating	±0.3	±2°	MAT'L
④	Center pin terminal ①	Brass t=0.4	1	Tin plating			SEE NOTE
③	Center pin	Brass	1	CuSn plating			FINISH
②	Cover	Thermoplastic	1	See P/N ordering info			SEE NOTE
①	Housing	Thermoplastic	1	See P/N ordering info			Q'TY
					THESE DRAWINGS AND SPECIFICATIONS ARE THE PROPERTY OF ACCURATE INNOTECH INC AND SHALL NOT BE REPRODUCED, COPIED OR USED IN ANY MANNER WITHOUT THE PRIOR WRITTEN CONSENT OF ACCURATE INNOTECH INC.		

雅安科技有限公司 ACCURATE INNOTECH INC.			
TITLE: DIP DC POWER JACK		PART NO.: DCB0-005BY	
DR: Ricky 2019/03/05		DWG NO.: AB0-005BY	
CHKD: Ricky 2019/03/05		SCALE	SHEET
APPD:		1:1	1/1
		REV.	CUSTOMER
		A	DRAWING