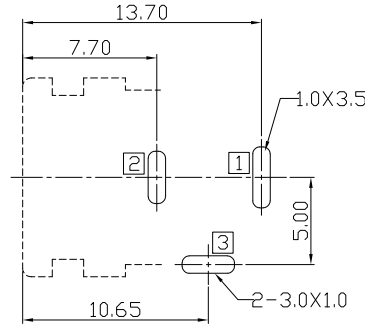
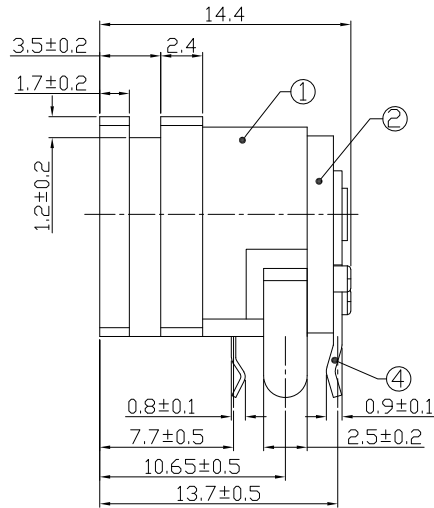
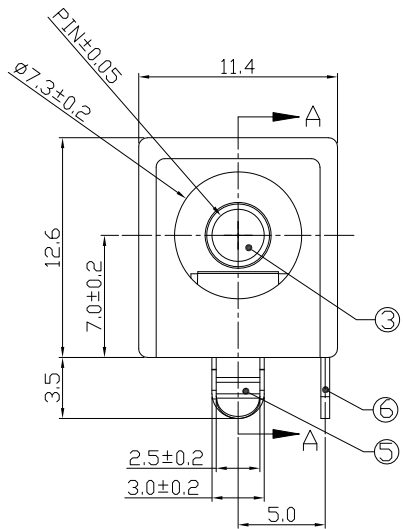




RoHS Compliant  
2002/95/EC

| REV. | ECN. NO. | APPD. |
|------|----------|-------|
|      |          |       |
|      |          |       |

DIMENSIONS



RECOMMENDED P.C.B. LAYOUT  
UNSPECIFIED TOLERANCE:±0.05  
(TOP VIEW)

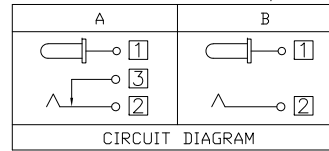
MODEL CODE:

DCB0-00620- A □ PB BK I 0 4

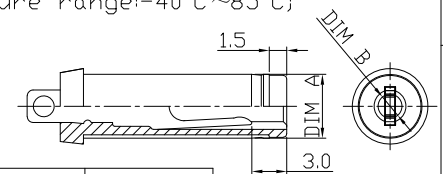
- (1):Series type:DIP DC POWER JACK.
- (2):Series No.
- (3):Schematic option: A , B
- (4):Center pin diameter:  
H=∅2.0 , J=∅2.5 , K=∅3.0
- (5):Material of housing:  
PB=PBT
- (6):Housing color:  
BK=Black
- (7):Terminal plating  
T=Tin(Sn)  
S=Silver(Ag)
- (8):Special option:  
0=Tip spring is Stainless steel material  
P=Tip spring is phosphor bronze material  
H=Cover and housing are black Halogen Free,  
Tip spring is stainless steel material.
- (9):Packing mode:  
4=Bag packing

SPECIFICATION:

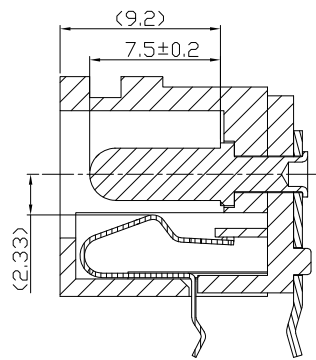
- 1.Rating : DC 20V 3A;
- 2.Contact resistance: ≤50mΩ;  
After test:≤100mΩ
- 3.Insulation resistance: ≥100MΩ (DC500V);  
After test:≥50MΩ
- 4.Withstand voltage: 500VAC ;
- 5.Insertion and extraction force: 3-30N;
- 6.life test: 5,000 cycles;
- 7.Operation temperature range:-20°C~70°C;
- 8.Preservative temperature range:-40°C~85°C;



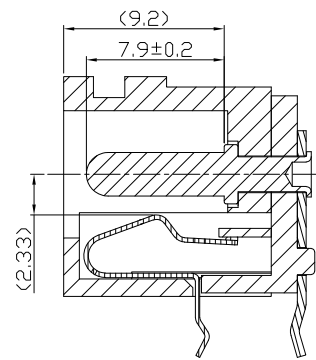
|            |                                         |                                         |                                         |
|------------|-----------------------------------------|-----------------------------------------|-----------------------------------------|
| Model No.  | H                                       | J                                       | K                                       |
| CENTER PIN | ∅2.0                                    | ∅2.5                                    | ∅3.0                                    |
| DIM A      | ∅6.3±0.05                               | ∅6.3±0.05                               | ∅6.55±0.05                              |
| DIM B      | ∅2.05 <sup>+0.10</sup> <sub>-0.00</sub> | ∅2.55 <sup>+0.10</sup> <sub>-0.00</sub> | ∅3.05 <sup>+0.10</sup> <sub>-0.00</sub> |



DC MATE PLUG



SECTION A-A  
(插针规格: ∅3.0)



SECTION A-A  
(插针规格: ∅2.0 & ∅2.5)

○: ITEM NO. □: TERMINAL NO.

|     |                       |                       |      |                       |              |
|-----|-----------------------|-----------------------|------|-----------------------|--------------|
| ⑥   | Shunt terminal ③      | Brass                 | 1    | See P/N ordering info |              |
| ⑤   | Tip spring ②          | See P/N ordering info | 1    |                       |              |
| ④   | Center pin terminal ① | Brass                 | 1    |                       |              |
| ③   | Center pin            | Copper Alloy          | 1    |                       | CuSn plating |
| ②   | Cover                 | Thermoplastic         | 1    |                       | Black        |
| ①   | Housing               | Thermoplastic         | 1    | Black                 |              |
| NO. | PARTS                 | MATERIAL              | Q'TY | FINISHING             |              |

|                                                                                                                                                                                                   |         |          |
|---------------------------------------------------------------------------------------------------------------------------------------------------------------------------------------------------|---------|----------|
| TOLERANCE                                                                                                                                                                                         | ANGLES  | UNITS    |
| .X ±0.50                                                                                                                                                                                          | X ±5°   | mm       |
| .XX ±0.30                                                                                                                                                                                         | .X ±3°  | MAT'L    |
| .XXX ±0.15                                                                                                                                                                                        | .XX ±2° | SEE NOTE |
| THESE DRAWINGS AND SPECIFICATIONS ARE THE PROPERTY OF ACCURATE INNOTECH INC AND SHALL NOT BE REPRODUCED, COPIED OR USED IN ANY MANNER WITHOUT THE PRIOR WRITTEN CONSENT OF ACCURATE INNOTECH INC. |         |          |
| Q'TY                                                                                                                                                                                              | FINISH  | SEE NOTE |

|                                    |     |                         |        |
|------------------------------------|-----|-------------------------|--------|
| 雅安科技有限公司<br>ACCURATE INNOTECH INC. |     |                         |        |
| TITLE:<br>DIP DC POWER JACK        |     | PART NO.:<br>DCB0-00620 |        |
| DR: Ricky 2019/04/30               |     | DWG NO.:<br>AB0-00620   |        |
| CHKD: Ricky 2019/04/30             |     | SCALE                   | SHEET  |
| APPD:                              | 1:1 | 1/1                     | REV. A |
|                                    |     | CUSTOMER DRAWING        |        |