



RoHS
Compliant
2002/95/EC

REV.	ECN. NO.	APPD.

DIMENSIONS

MODEL CODE:

DCB0-00830- B G 66 BK T 0 4

(1) (2) (3)(4) (5) (6)(7)(8) (9)

(1):Series type: DC POWER JACK.

(2):Series No.

(3):Schematic option: B

(4):Center pin diameter:

G=1.65 (Only)

(5):Material of housing:

66=PA66 (Only)

(6):Housing color:

BK=Black (Only)

(7):Terminal plating

T=Tin(Sn) (Standard)

S=Silver(Ag)

G=Gold(Au)

(8):Special option:

0=No special option

(9):Packing mode:

4=Bag packing

SPECIFICATION:

1.Rating : DC 20V 3A;

2.Contact resistance: $\leq 50m\Omega$;

After test: $\leq 100m\Omega$

3.Insulation resistance: $\geq 100M\Omega$ (DC500V);

After test: $\geq 50M\Omega$

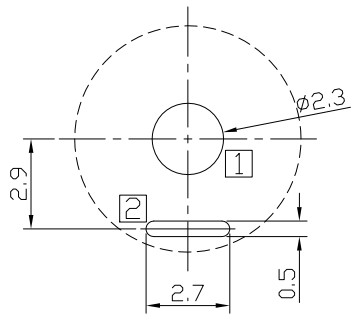
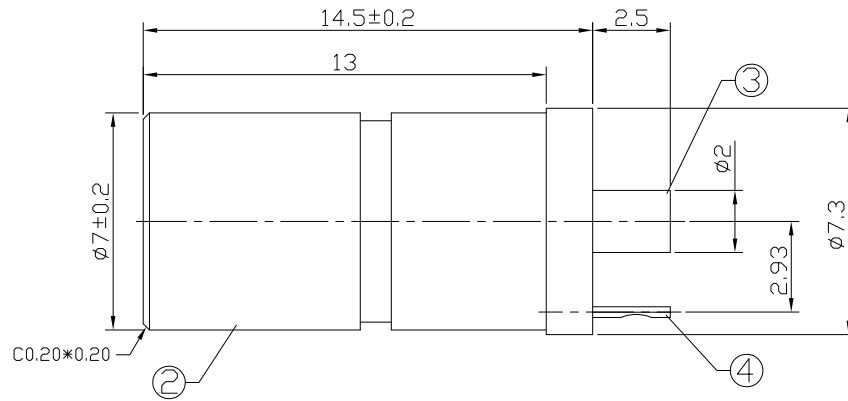
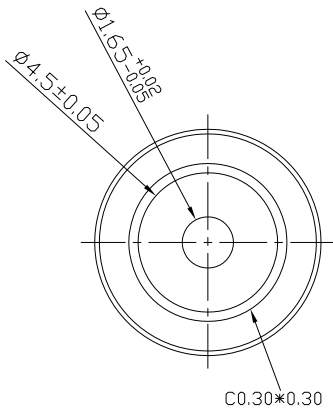
4.Withstand voltage: 500VAC ;

5.Insertion and extraction force: 3-30N;

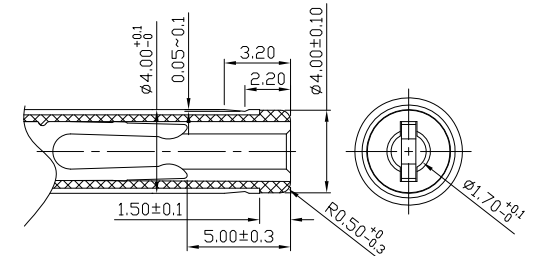
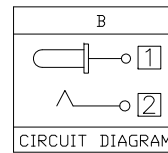
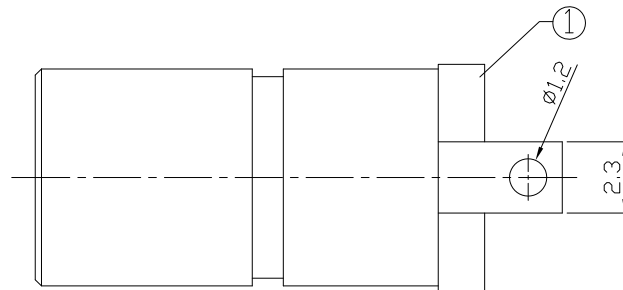
6.life test: 5,000 cycles;

7.□peration temperature range:-20°C~70°C;

8.Preservative temperature range:-40°C~85°C;



RECOMMENDED P.C.B. LAYOUT
UNSPECIFIED TOLERANCE:±0.05
(TOP VIEW)



DC MATE PLUG

○: ITEM NO. □: TERMINAL NO.

NO.	PARTS	MATERIAL	Q'TY	FINISHING	TOLERANCE	ANGLES	UNITS
④	Tip spring ②	Stainless steel	1	Tin plating	±0.5	±5°	mm
③	Center pin ①	Brass	1	Tin plating			
②	Bushing	Brass	1	Nickel plating			
①	Housing	PA66	1				
					THESE DRAWINGS AND SPECIFICATIONS ARE THE PROPERTY OF ACCURATE INNOTECH INC AND SHALL NOT BE REPRODUCED, COPIED OR USED IN ANY MANNER WITHOUT THE PRIOR WRITTEN CONSENT OF ACCURATE INNOTECH INC.		

雅安科技有限公司 ACCURATE INNOTECH INC.			
TITLE: DC POWER JACK		PART NO.: DCB0-00830	
DR: <i>Ricky</i> 2019/05/02		DWG NO.: AB0-00830	
CHKD: <i>Ricky</i> 2019/05/02		SCALE 1:1	SHEET 1/1
APPD:		REV. A	CUSTOMER DRAWING