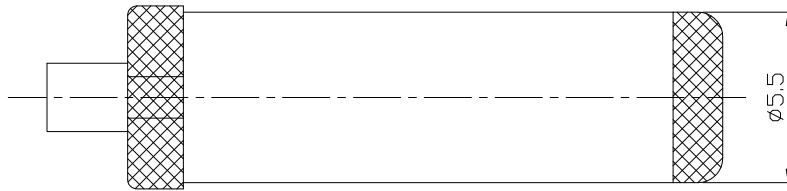
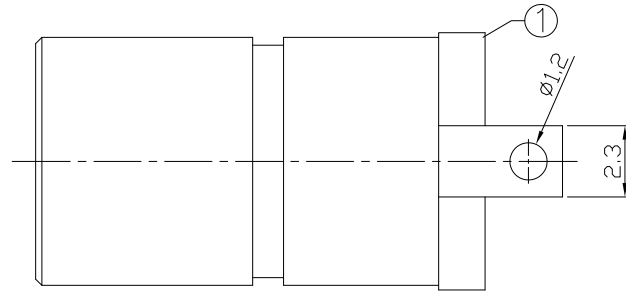
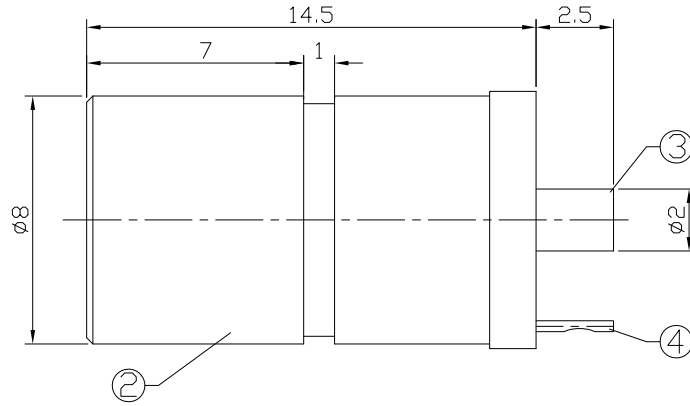
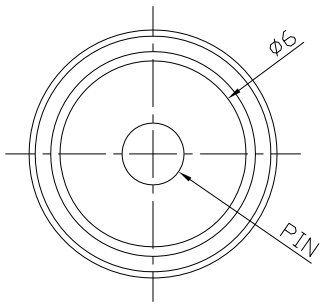




RoHS
Compliant
2002/95/EC

REV.	ECN. NO.	APPD.

DIMENSIONS



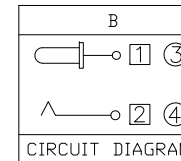
MODEL CODE:

DCB0-00840- B □ 66 BK I 0 4

- (1) (2) (3)(4) (5) (6)(7)(8) (9)
- (1):Series type: DC POWER JACK.
 (2):Series No.
 (3):Schematic option: B
 (4):Center pin diameter:
 H=2.0 , I=2.35 , J=2.5
 (5):Material of housing:
 66=PA66 (Only)
 (6):Housing color:
 BK=Black (Only)
 (7):Terminal plating
 T=Tin(Sn) (Standard)
 S=Silver(Ag)
 G=Gold(Au)
 (8):Special option:
 0=No special option
 (9):Packing mode:
 4=Bag packing

SPECIFICATION:

- 1.Rating : DC 20V 3A;
 2.Contact resistance: ≤50mΩ;
 3.Insulation resistance: ≥100MΩ (DC250V);
 4.Withstand voltage: 500VAC ;
 5.Insertion and extraction force: 3-30N;
 6.life test: 5,000 cycles;
 7.□peration temperature range:-20°C~70°C;
 8.Preservative temperature range:-40°C~85°C;



Model No.	H	I	J
CENTER PIN	∅2.0	∅2.35	∅2.5

○: ITEM NO. □: TERMINAL NO.

					TOLERANCE	ANGLES	UNITS	雅安科技有限公司 ACCURATE INNOTECH INC.					
					±0.3	±2°	mm						
④	spring	Stainless steel	1	Sn-Plating			MAT'L	SEE NOTE	TITLE:	PART NO.:			
③	Center pin	Brass	1	Sn-Plating					DC POWER JACK	DCB0-00840			
②	Bushing	Brass	1	Ni-Plating			FINISH	SEE NOTE	DR:	DWG NO.:			
①	Housing	PA66	1						Ricky 2019/05/02	AB0-00840			
NO.	PARTS	MATERIAL	Q'TY	FINISHING	THESE DRAWINGS AND SPECIFICATIONS ARE THE PROPERTY OF ACCURATE INNOTECH INC AND SHALL NOT BE REPRODUCED, COPIED OR USED IN ANY MANNER WITHOUT THE PRIOR WRITTEN CONSENT OF ACCURATE INNOTECH INC.			Q'TY	CHKD:	SCALE			
												Ricky 2019/05/02	1:1
									APPD:	1/1	A	DRAWING	