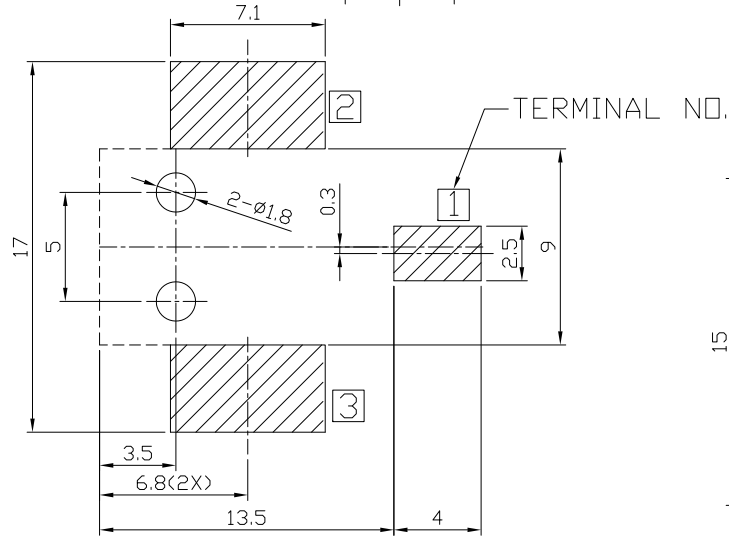
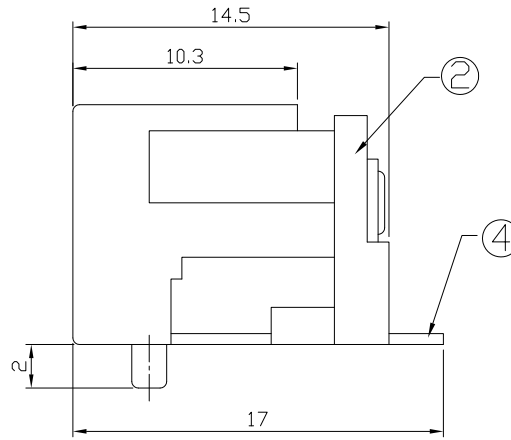
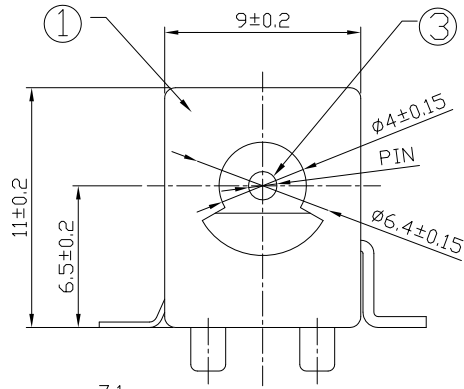




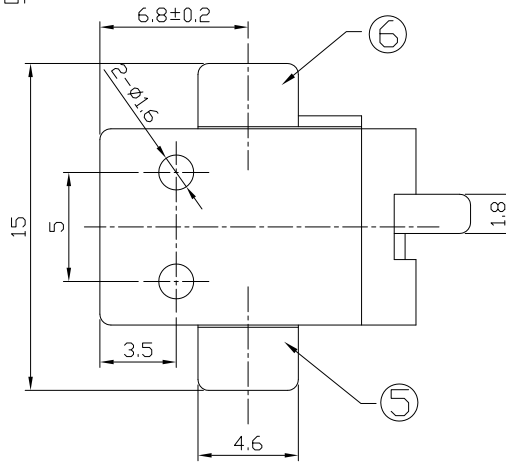
RoHS  
Compliant  
2002/95/EC

| REV. | ECN. NO. | APPD. |
|------|----------|-------|
|      |          |       |
|      |          |       |
|      |          |       |

DIMENSIONS



RECOMMENDED P.C.B. LAYOUT  
UNSPECIFIED TOLERANCE:±0.05  
(TOP VIEW)

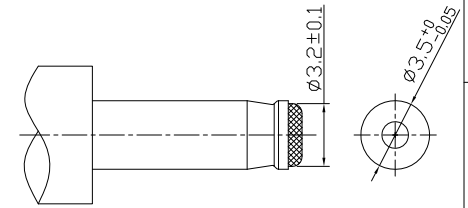
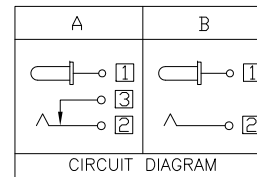


MODEL CODE:

DCB0-00880- A □ 9T BK S 0 1  
(1) (2) (3)(4) (5) (6)(7)(8) (9)  
(1):Series type:SMD DC POWER JACK.  
(2):Series No.  
(3):Schematic option: A,B  
(4):Center pin diameter:  
D=φ1.1, E=φ1.3  
(5):Material of housing:  
9T=PA9T(Standard)  
(6):Housing color:  
BK=Black  
(7):Terminal plating:  
S=Silver(Ag)  
(8):Special option:  
0=No special option  
(9):Packing mode:  
1=Reel packing

Specification:

- 1.Rating : DC 30V 1.0A.
- 2.Contact resistance: ≤30mΩ  
After test:≤50mΩ
- 3.Insulation resistance: ≥100MΩ (500VDC).  
After test:≥50MΩ
- 4.Withstanding voltage: 500VAC.
- 5.Insertion and extraction force: 3N~30N.
- 6.life test: 5000cycles min.
- 7.Operate temperature range:-20°C~70°C
- 8.Preservative temperature range:-40°C~85°C



|            |      |      |
|------------|------|------|
| Model No.  | D    | E    |
| CENTER PIN | φ1.1 | φ1.3 |

DC MATE PLUG

○: ITEM NO. □: TERMINAL NO.

|     |                       |                       |      |                |  |        |          |   |
|-----|-----------------------|-----------------------|------|----------------|--|--------|----------|---|
| ⑥   | Shunt terminal ③      | Brass t0.5            | 1    | Silver plating | TOLERANCE  | ANGLES | UNITS    | <p>雅安科技有限公司<br/>ACCURATE INNOTECH INC.</p> <p>TITLE: SMD DC POWER JACK</p> <p>PART NO.: DCB0-00880</p> <p>DR: Ricky 2018/06/25</p> <p>DWG NO.: AB0-00880</p> <p>CHKD: Ricky 2018/06/25</p> <p>APPD:</p> |
| ⑤   | Tip spring ②          | Phosphor bronze t0.25 | 1    | Silver plating | ±0.3   | ±2°    | mm       |   |
| ④   | Center pin terminal ① | Brass t0.5            | 1    | Silver plating |  |        | MAT'L    |   |
| ③   | Center pin ①          | Brass                 | 1    | Nickel plating |  |        | SEE NOTE |   |
| ②   | Cover                 | PA9T                  | 1    | Black          |  |        | FINISH   |   |
| ①   | Housing               | PA9T                  | 1    | Black          |  |        | SEE NOTE |   |
| NO. | PARTS                 | MATERIAL              | Q'TY | FINISHING      | <p>THESE DRAWINGS AND SPECIFICATIONS ARE THE PROPERTY OF ACCURATE INNOTECH INC AND SHALL NOT BE REPRODUCED, COPIED OR USED IN ANY MANNER WITHOUT THE PRIOR WRITTEN CONSENT OF ACCURATE INNOTECH INC.</p> |        |          | Q'TY  |



|       |       |      |                  |
|-------|-------|------|------------------|
| SCALE | SHEET | REV. | CUSTOMER DRAWING |
| 1:1   | 1/1   | A    |                  |