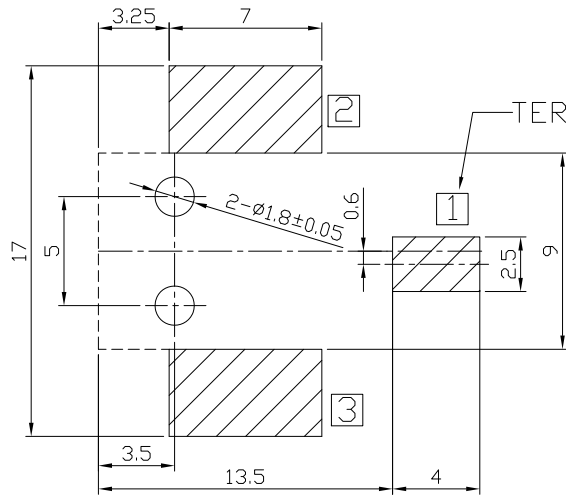
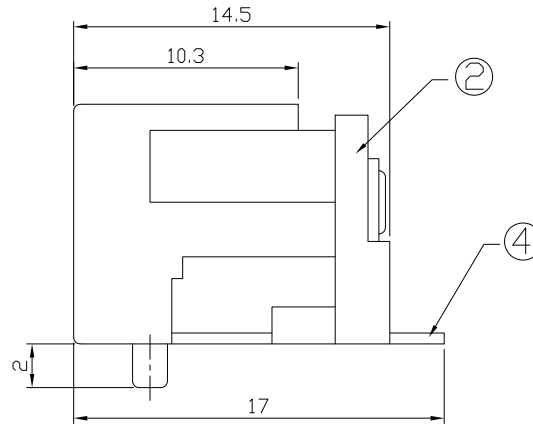
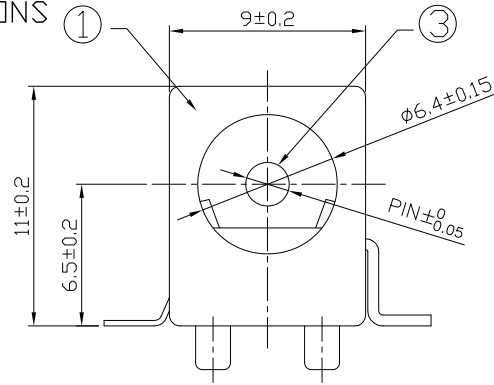




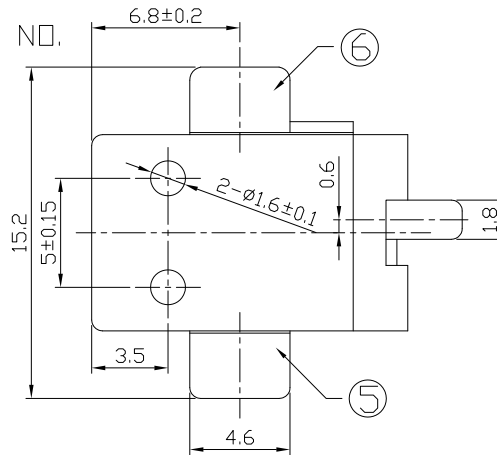
RoHS
Compliant
2002/95/EC

REV.	ECN.	NO.	APPD.

DIMENSIONS



RECOMMENDED P.C.B. LAYOUT
UNSPECIFIED TOLERANCE:±0.05
(COPPER-TOP VIEW)



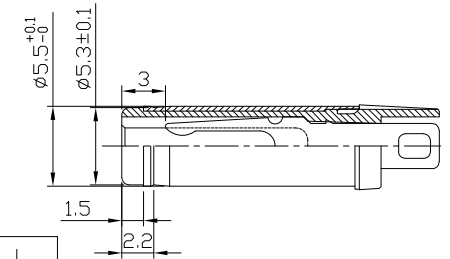
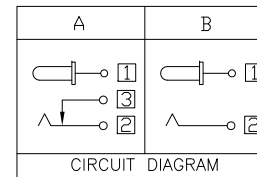
MODEL CODE:

DCB0-0088B- A □ 9T BK S 0 1

- (1) (2) (3)(4) (5) (6)(7)(8) (9)
 (1):Series type:SMD DC POWER JACK.
 (2):Series No.
 (3):Schematic option: A,B
 (4):Center pin diameter:
 H=φ2.0, J=φ2.5
 (5):Material of housing:
 9T=PA9T(Standard)
 (6):Housing color:
 BK=Black
 (7):Terminal plating:
 S=Silver(Ag)
 (8):Special option:
 0=No special option
 (9):Packing mode:
 1=Reel packing

SPECIFICATION

- Rating :DC 20V 5A ;
- Contact resistance :≤30mΩ ;
After test:≤50mΩ
- Insulation resistance : ≥100MΩ (DC250V) ;
After test:≥50MΩ
- Withstanding voltage :500VAC ;
- Insertion and extraction force :3-30N;
- life test :5,000 cycles;
- Operation temperature range:-20°C~70°C;
- Preservative temperature range:-40°C~85°C;



DC MATE PLUG

Model No.	H	J
CENTER PIN	φ2.0	φ2.5

○: ITEM NO. □: TERMINAL NO.

⑥	Shunt terminal ③	Brass t0.5	1	Silver plating	TOLERANCE	ANGLES	UNITS	雅安科技有限公司 ACCURATE INNOTECH INC. TITLE: SMD DC POWER JACK PART NO.: DCB0-0088B DR: <i>Ricky</i> 2018/06/25 DWG NO.: AB0-0088B CHKD: <i>Ricky</i> 2018/06/25 APPD:
⑤	Tip spring ②	Phosphor bronze t0.25	1	Silver plating	±0.3	±2°	mm	
④	Center pin terminal ①	Brass t0.5	1	Silver plating			MAT'L	
③	Center pin ①	Brass	1	Nickel plating			SEE NOTE	
②	Cover	PA9T	1	Black			FINISH	
①	Housing	PA9T	1	Black			SEE NOTE	
NO.	PARTS	MATERIAL	Q'TY	FINISHING	THESE DRAWINGS AND SPECIFICATIONS ARE THE PROPERTY OF ACCURATE INNOTECH INC AND SHALL NOT BE REPRODUCED, COPIED OR USED IN ANY MANNER WITHOUT THE PRIOR WRITTEN CONSENT OF ACCURATE INNOTECH INC.			Q'TY

DR:	<i>Ricky</i> 2018/06/25	DWG NO.:	AB0-0088B
CHKD:	<i>Ricky</i> 2018/06/25	SCALE	1:1
APPD:		SHEET	1/1
		REV.	A
		CUSTOMER DRAWING	