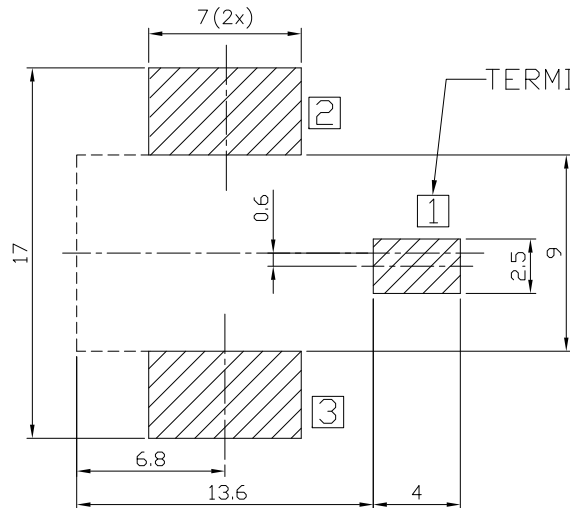
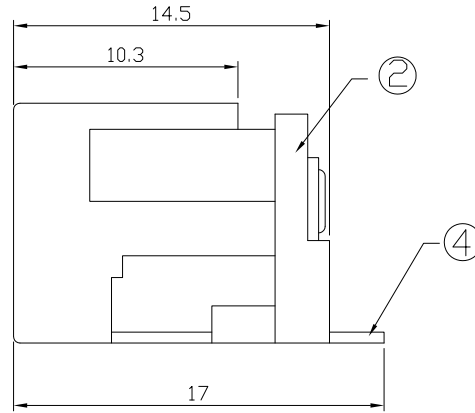
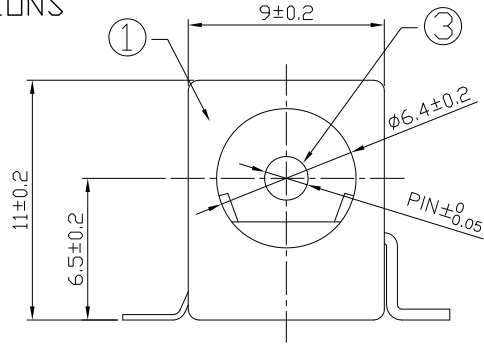




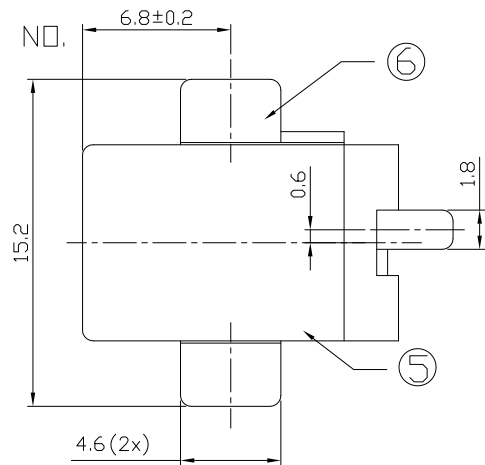
RoHS
Compliant
2002/95/EC

REV.	ECN. NO.	APPD.

DIMENSIONS



RECOMMENDED P.C.B. LAYOUT
UNSPECIFIED TOLERANCE:±0.05
(COPPER-SIDED VIEW)

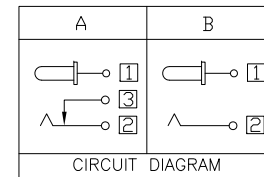


MODEL CODE:

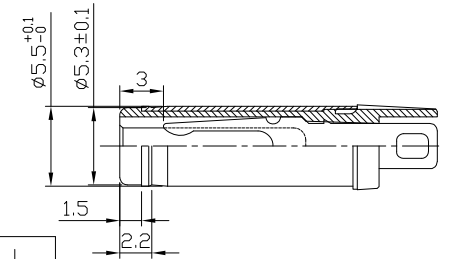
DCB0-0088C- A □ 9T BK S 0 1
 (1) (2) (3)(4) (5) (6)(7)(8) (9)
 (1):Series type:SMD DC POWER JACK.
 (2):Series No.
 (3):Schematic option: A,B
 (4):Center pin diameter:
 H=φ2.0, J=φ2.5
 (5):Material of housing:
 9T=PA9T(Standard)
 (6):Housing color:
 BK=Black
 (7):Terminal plating:
 S=Silver(Ag)
 (8):Special option:
 0=No special option
 (9):Packing mode:
 1=Reel packing

SPECIFICATION

- Rating :DC 20V 5A ;
- Contact resistance :≤30mΩ ;
After test:≤50mΩ
- Insulation resistance : ≥100MΩ (DC500V) ;
After test:≥50MΩ
- Withstanding voltage :500VAC ;
- Insertion and extraction force :3-30N;
- life test :5,000 cycles;
- Operation temperature range:-20°C~70°C;
- Preservative temperature range:-40°C~85°C;



Model No.	H	J
CENTER PIN	φ2.0	φ2.5



DC MATE PLUG

○: ITEM NO. □: TERMINAL NO.

⑥	Shunt terminal ③	Brass t0.5	1	Silver plating	TOLERANCE	ANGLES	UNITS
⑤	Tip spring ②	Phosphor bronze t0.25	1	Silver plating	±0.3	±2°	mm
④	Center pin terminal ①	Brass t0.5	1	Silver plating			MAT'L
③	Center pin ①	Brass	1	Nickel plating			SEE NOTE
②	Cover	PA9T UL94V-0	1	Black			FINISH
①	Housing	PA9T UL94V-0	1	Black			SEE NOTE
NO.	PARTS	MATERIAL	Q'TY	FINISHING			Q'TY

THESE DRAWINGS AND SPECIFICATIONS ARE THE PROPERTY OF ACCURATE INNOTECH INC AND SHALL NOT BE REPRODUCED, COPIED OR USED IN ANY MANNER WITHOUT THE PRIOR WRITTEN CONSENT OF ACCURATE INNOTECH INC.

雅安科技有限公司 ACCURATE INNOTECH INC.			
TITLE: SMD DC POWER JACK		PART NO.: DCB0-0088C	
DR: Ricky 2018/06/25		DWG NO.: AB0-0088C	
CHKD: Ricky 2018/06/25		SCALE	SHEET
APPD:		1:1	1/1
		REV.	CUSTOMER DRAWING
		A	